

NSK

Surgery System

Surgic Pro

Surgic Pro

OPERATION MANUAL

Please read this Operation Manual carefully before use, and file for future reference.



Surgic Pro

Thank you for purchasing the NSK Surgic Pro series surgical unit.

We recommend that prior to use, you carefully read this document regarding instructions for use, handling method, or maintenance check so that you can carry on using the unit in the future. In addition, keep this operation manual in a place where a user can refer to it at any given time.



◆ Intended to Use

Surgic Pro series is intended for use in dental oral surgery by qualified personnel.

Contents



1. Safety precautions prior to use	2
2. Package Contents	4
3. Control Unit and Foot Control	5
4. Installation	7
5. Setting	10
6. Operation	12
7. Protection Circuit	16
8. Error Code & Troubleshooting	16
9. Fuse Replacement	18
10. Maintenance	18
11. Sterilization	19
12. Contra Angle Handpieces and Accessories	20
13. Specification	20
14. Disposing Product	20
15. Symbols	21
16. EMC Information	21

◆ Classification of equipment

- Type of protection against electric shock :
 - Class I equipment
- Degree of protection against electric shock :
 - Type BF applied part 
- Method of sterilization or disinfection recommended by the manufacture :
 - See 11. Sterilization
- Degree of protection against ingress of water as detailed in the current edition of IEC 60529 :
 - Foot Control: IPX8 (Protected against the effects of continuous immersion in water)
- Degree of safety of application in the presence of a flammable anesthetic mixture with air or with oxygen or nitrous oxide :
 - Foot Control: Category AP Equipment 
- Mode of operation :
 - Intermittent operation

Cautions for handling and operation

- Read these safety cautions thoroughly before use and operate the product properly.
- These indicators are to allow you to use the product safely, prevent danger and harm to you and others. These are classified by degree of danger, damage and seriousness. All indicators concern safety, be sure to follow them.

Classification	Degree of Danger or Damage and Seriousness
 WARNING	Explains an instruction where personal injury or physical damage may occur.
 CAUTION	Explains an instruction where minor to medium injury or physical damage may occur.
NOTICE	Explains an instruction that should be observed for safety reasons.

1. Safety precautions prior to use

Read Handpiece's Operation manual carefully before use.

WARNING

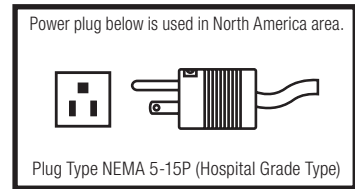
- TO PREVENT ELECTRIC SHOCK Do not unplug the AC Power cord with wet hands.
- TO PREVENT ELECTRIC SHOCK Be sure to prevent water on the Control Unit.
- TO PREVENT ELECTRIC SHOCK Use an electrical outlet that is grounded.
- The system may present a possibility of malfunction when used in the presence of an electromagnetic interference wave. Do not install the system in the vicinity of the device which emits magnetic waves. Turn off the Main Power Switch of the Control Unit of this system when an ultrasonic oscillation device or an electrode knife is located in the vicinity is used.

CAUTION

- The accuracy of the Torque Monitor depends on the high precision performance of the handpiece attached to the micromotor. Real torque value may not otherwise be correctly displayed. To guarantee handpiece torque accuracy, that matches the monitor display system, USE ONLY the NSK contra angle handpieces listed on "12. Contra Angle Handpieces and Accessories". When other handpiece had connected, it may not output accurate torque which indicated on handpiece.
- Surgic Pro series needs special precautions regarding EMC and needs to be installed and put into service according to the EMC information. (Refer to 16. EMC Information)
- Portable and mobile RF (Radio Frequency) communications equipment can affect Surgic Pro series. Do not use RF equipment outskirts for the product.
- The use of accessories, Motors and cables other than those specified, with the exception of Motors and cables sold by the manufacturer of Surgic Pro series as replacement parts for internal components, may result in increased EMISSIONS or decreased IMMUNITY of the Control Unit.
- Surgic Pro series should not be used adjacent to or stacked with other equipment and that if adjacent or stacked use is necessary, the Control Unit should be observed to verify normal operation in the configuration in which it will be used.
- When operating this system always consider the safety of the patient.
- Do not attempt to disassemble the Control Unit /Foot Control / Micromotor nor temper with the mechanism.
- Check for vibration, noise and overheating before use and if any abnormalities are found in use, stop using immediately and contact dealer.
- Use an electrical outlet that is grounded.
- Do not drop, hit, or subject to excessive shock.
- Do not bend the Irrigation Tube while the irrigation pump is operating. It could cause tube breakage.
- Do not use bent, damaged or sub-standard burs or drill. The Shank could bend or brake.
- Do not exceed the recommended speed and torque.

- After each Operation, be sure to lubricate and sterilize the handpiece as soon as it's cleaned. Blood coagulation can cause corrosion and rusting. However, do not lubricate the Micromotor. Oil could generate excessive heat and cause damage.
- The Control Unit can be cleaned with a moist cloth. Disconnect the power supply before cleaning. The Control Unit and the Foot Control cannot be sterilized by any method.
- When the system is very frequently used, consider the maintenance of a small stock of replaceable parts.
- Do not disconnect the Motor Cord from the motor.
- Do not wipe with or, clean or immerse in, high acid water or sterilizing solutions.
- Follow the table below for the motion time of motor and handpiece. Continuous use over a long time with high torque may cause the overheating of the handpiece, which in turn may result in an accident.
- Applied parts for patient and/or operator is Handpiece.
- Do not fixate the eyes of LED light.
- If any abnormalities (dark, do not light on or flashing) are found for LED, stop using the it immediately and contact dealer.
- Using the Micromotor with light 'ON' for more than 3 minutes continuously, motor will become hot. (The maximum surface temperature might reach 45°C by the situation used) In such cases, stop using the Micromotor till the light part cools down, or use the Micromotor without turning on the light.
- Grounding reliability can only be achieved when the equipment is connected to an equipment receptacle marked "Hospital Only" or "Hospital Grade".
- For safety's sake, install the Control Unit in a place where the AC POWER Cord can be easily removed. (It is possible to disconnect the control unit from the power source by removing the AC POWER Cord.)

Operating Mode	
Intermittent Operation	
ON	OFF
3 min.	10 min.



NOTICE

- Turn off the Main Power Switch after each use.
- For service requirements and spare parts contact dealer.
- Use of NSK genuine pre-sterilized, disposable Irrigation Tube is recommended.
- Total recording time is about 100 minutes. (Surgic Pro+)
- Do not insert a USB flash drive during operation.
- Do not remove USB flash drive while LED lamp is on or blinking.
- Do not use data stored in USB flash drive for diagnostic purposes.
- Do not use a USB flash drive other than USB 2.0.
- This device is not guaranteed to work with all USB flash drive. It may not work with USB flash drive with security functions or those requiring a great deal of electricity.

	Temperature	Humidity	Atmospheric pressure
Use	Between 0-40°C (32-104°F)	Between 10-85% RH	Between 700-1060 hPa
Store (Transportation)	Between -10-50°C (14-122°F)	Between 10-85% RH	Between 500-1060 hPa

No moisture condensation in the Control Unit.
Use at outside of these limits may cause malfunction.

2. Package Contents



*Figure shows Optic Motor and Optic Handpiece

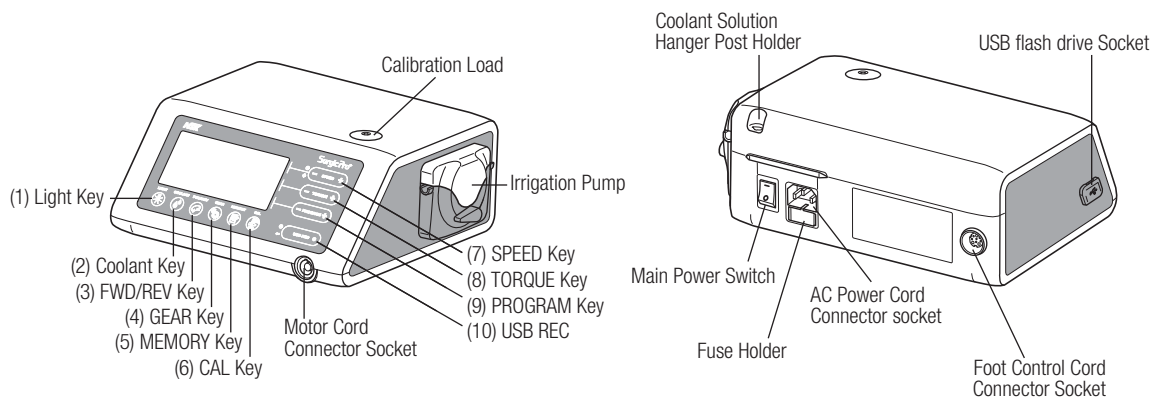
Item No.	Description	Quantity
①	AC Power Cord	1
②	Foot Controller with Cord (2m)	1
③	Control Unit	1
④	Irrigation Tube	5
⑤	Coolant Solution Hanger Post	1
⑥	Optic Handpiece / Non-Optic Handpiece *	1
⑦	Optic Motor / Non-Optic Motor (With Motor Cord) *	1
⑧	Y-Connector	1
⑨	Spare Fuse	2
⑩	Tube Holder	7

Item No.	Description	Quantity
⑪	Handpiece Stand	1
⑫	Internal Irrigation Nozzle	1
⑬	Nozzle Holder	1
⑭	Cleaning Wire	1
⑮	Calibration Bur	1
⑯	E-type Spray Nozzle	1
⑰	Protection Plug	1
⑱	O-ring (Protection Plug)	2
⑲	O-ring (Motor)	2

* Handpiece will be attached suitable one (Applied part)

* USB flash drive not included.

3. Control Unit and Foot Control

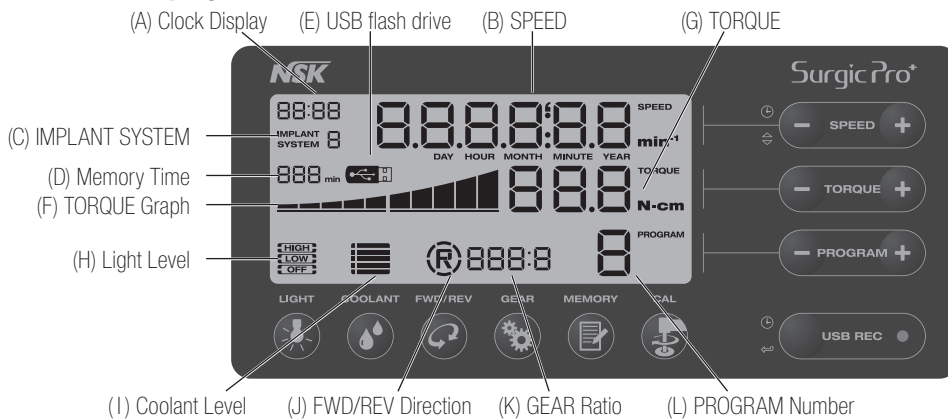


*The item which does not have number is explained in context.

3-1 Keys on the Control Unit

- (1) Light Key
Select the light level. (OFF -> LOW->HIGH) Repeat press Key to cycle through light levels. (Default:HIGH)
- (2) Coolant Key
Use to select 6 levels of coolant solution flow from 0 to 5, repeat press Key to cycle through coolant flow levels.
- (3) FWD/REV Key
Use to select the direction of rotation. Press this Key once to change the rotational direction. (Once in Reverse the Control Unit audibly warns with a 'beep')
- (4) GEAR Key
Use to set gear ratio of the attached handpiece before use. Repeat press this Key until the LCD display indicates the correct gear ratio of the handpiece.
- (5) MEMORY Key
Use to memorize the program parameters set by the operator. Press & hold this Key for approx. 1 second to memorize parameters. When beep sounds, the new program parameters have been memorized.
- (6) CAL Key
Use to activate calibration cycle of the handpiece before use.
- (7) SPEED Key (- +)
Use to set the Micromotor speed. Press [+] Key to increase, and [-] Key to decrease speed. When keep pushing the key to change the speed quickly. (When the upper and lower speed limits are reached an audible alarm 'beep' is sounded).
- (8) TORQUE Key (- +)
Use to set the torque range. Press [+] Key to increase and [-] Key to decrease torque range. When keep pushing the key to change the torque range quickly. (When the upper and lower torque range limits are reached an audible alarm 'beep' is sounded). The torque range setting should be selected according to the attached handpiece gear ratio.
- (9) PROGRAM Key (- +)
Select the available programs. (1 to 8) Press [+] Key to ascend and [-] Key to descend program number. You will find all program numbers sequentially by pressing Keys.
- (10) USB REC (Surgic Pro+ ONLY)
Press this Key to record the Surgic Pro series operation to USB flash drive.
A short push will save data being memorized to USB flash drive. A long push (about 2 seconds) will erase data saved on the control unit memory.

3-2 LCD display on the Control Unit Console



(A) Clock Display (Surgic Pro+ ONLY)

Clock display. Time is displayed using batteries installed in the Control Unit.

(B) SPEED

Selected speed indication. Rotation speed is displayed during rotation. When rotation stops, the maximum rotation speed set is displayed. Depressing Foot Control: Rotation speed of the motor displayed on the LCD (Assuming the correct gear ratio is selected) Foot Control speed varies depending on how far foot is depressed. Without pressing Foot Control: Max Rotation preset setting displayed on the LCD

(C) IMPLANT SYSTEM

The number of the implant system being used is displayed. (1 to 8)

(D) Memory Time (Surgic Pro+ ONLY)

Memory time remaining is displayed (Remain Time).

(E) USB flash drive (Surgic Pro+ ONLY)

When USB flash drive is inserted, it is displayed on the LCD.

(F) TORQUE Graph

Display the actual operating torque range. When all bars illuminate, the operating torque is at maximum. When bars are half illuminated then the operating torque is approximately 50% of the preset torque.

(G) TORQUE

Selected torque indication. When using the 1:1 direct drive or Speed increasing handpiece, the torque is not displayed. (This function is appropriate for 2:1 reduction speed handpiece or more)

(H) Light Level (For Optic ONLY)

Displays the selected light level; light levels are HIGH, LOW and OFF.

(I) Coolant Level

Displays the selected coolant solution flow level; the selected Flow level is indicated by 0 to 5 levels of illuminated indicators. No illumination indicates when the Coolant Solution Flow is off.

(J) FWD/REV Direction

Displays the selected direction of handpiece rotation. When rotating, the circumference display rotates.

(K) GEAR Ratio

Selected Gear Ratio of the handpiece.

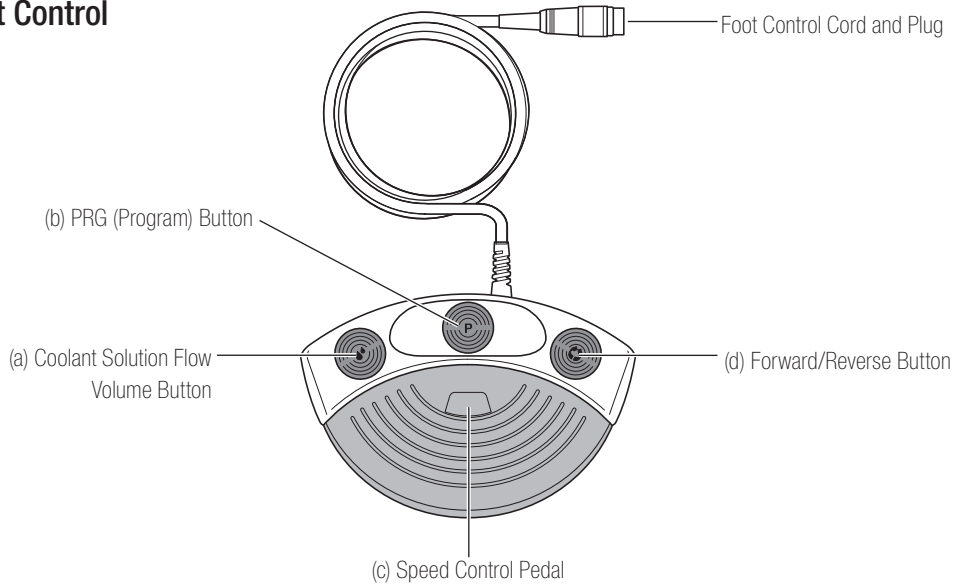
(L) PROGRAM Number

Selected Program Number indication. (1 to 8)

NOTICE

- Right after turning on the power source, the clock may display “88:88/00:00” or the LCD of the USB REC key may blink, but these are not malfunctions.
- When the power source is turned on, the device will return to its default settings. To save a setting, see 6-1 Programming the Micromotor Operation. (Default: Implant system 1, Light HIGH, Coolant Flow 3, Rotation F, Gear Ratio 20:1, Program Number 1, Torque 20N·cm, Speed 800min⁻¹)
- When packed for shipping, etc., the clock will blink on “00:00” if the clock has not been set. See 5-1 Clock and Date.
- When the clock display blinks on “- : - : - : - : - : - :” the clock batteries have run out. Contact the retailer where device was purchased.

3-3 Foot Control



(a) Coolant Solution Flow Volume Button

Use to select 6 levels of coolant solution flow from 0 to 5; each level may be increased by one step pressing this button. If you press this button in level 5, it returns to level 0.

(b) PRG (Program) Button

Use to select the desired program number. Program numbers will always ascend each time this button is pressed and released. To descend, press and hold for 1 second then release.

(c) Speed Control Pedal

Use to start and stop the Micromotor and to control the speed during operation. The Micromotor operational speed is directly proportional to the position of the foot control, up to the preset maximum.

(d) Forward/Reverse Button

Use to change the rotational direction of the Micromotor. Push once to change the rotational direction.

4. Installation



- Install the cord/plug only power is OFF.

CAUTION

4-1 Connecting the Motor Cord

Align the [•] mark on the Motor Cord with [•] mark on the Control Unit.

Push the Base of Motor Cord Plug into the socket until the locking joint 'clicks' into place.

To disconnect the plug; pull back the Lock Joint, pull further to disconnect the cord.

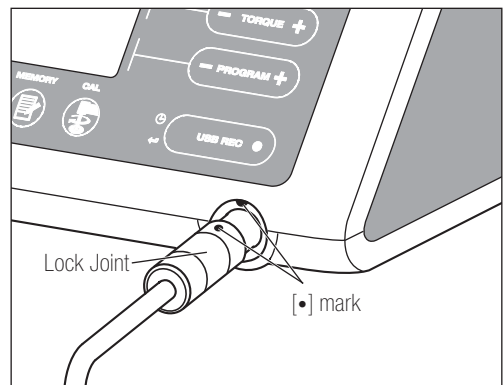


Fig.1

4-2 Connecting the Handpiece



CAUTION

- When using the Optic Surgic Pro micromotor (SGL70M), USE ONLY Optic contra-angle handpieces. Non Optic handpieces may not precisely connect to the micromotor and it may malfunction when the micromotor is under load.

- 1) Push the handpiece on to the motor taking care to keep it in alignment.
- 2) Twist the handpiece until it locks into position with a clicking sound.

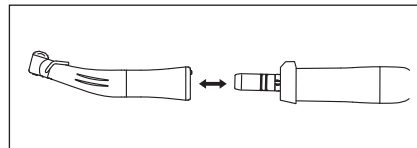


Fig.2

4-3 Connecting the Foot Control

Face the screw on the Foot Control Cord Plug downward then insert the plug into the Foot Control Cord connector socket on the Control Unit. Secure the plug by fastening the Lock Nut. Refer Fig.3.

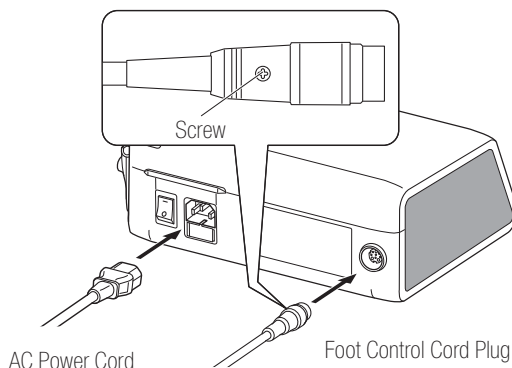


Fig.3

4-4 Connecting the AC Power Cord

Correctly align then insert the AC Power Cord into the AC Power Cord Connector Socket at the back of the Control Unit. (Fig.3)

4-5 Installing the Irrigation Tube

Ensure the Pump Cover Lever is in the 'OPEN' position, with the Irrigation tube 'Needle' towards the backside of the Control Unit. Position the stoppers of the tube assembly in to the Tube Guide securely. (Fig.4)

<OPEN Position>

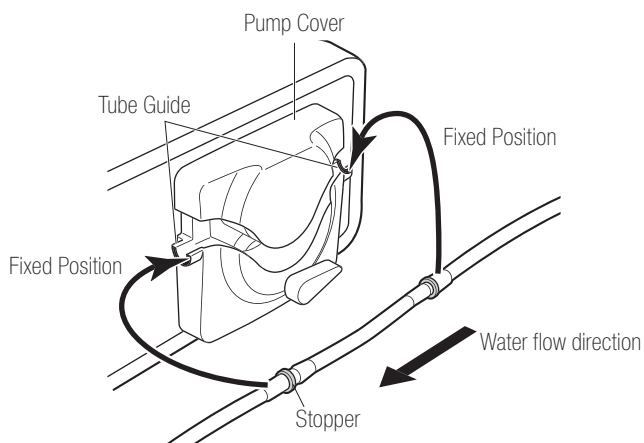
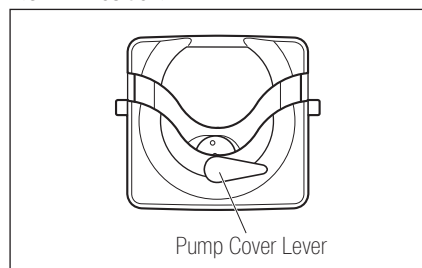


Fig.4

 **CAUTION**

- Make sure that the tube is securely set on the rollers when closing the Pump Cover. If the tube is not correctly positioned on the Rollers and the cover is closed, the tube could be cut or sheared. (Fig.5)
- Do not mount the Irrigation Tube except the person who specially educated.
- Do not mount the Irrigation Tube during Power is ON.

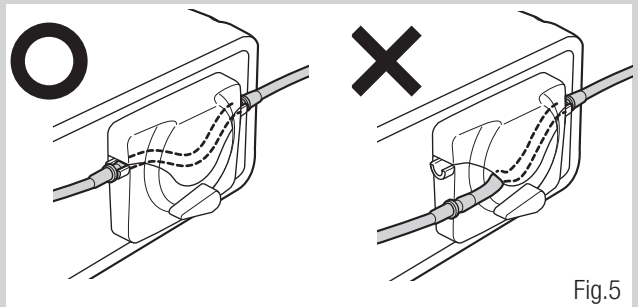


Fig.5

After the tubes are correctly positioned, close the Pump Cover by turning the Pump Cover Lever to the 'CLOSE' position. (180 degrees counterclockwise) (Fig.6)

To remove, 'OPEN' the Pump Cover Lever then remove the tube.

<CLOSE Position>

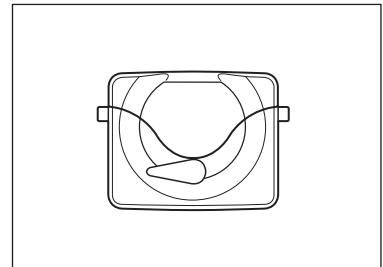


Fig.6

4-6 Mounting the Coolant Solution Hanger Post

Mount the Coolant Solution Hanger Post onto the Holder on the Control Unit. (Fig.7)

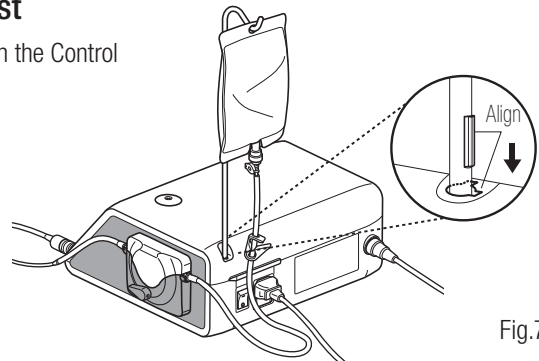


Fig.7

4-7 Insertion of the Irrigation Tube

- 1) Close the Tube Clamp, between the Irrigation Tube Needle and the Irrigation Pump. (Fig.8)
- 2) Insert the Irrigation Tube Needle into the Bottle Cap. (Fig.9)
- 3) Open the Tube Cap to supply air into the bottle. (Fig.10)
- 4) Open the Tube Clamp.

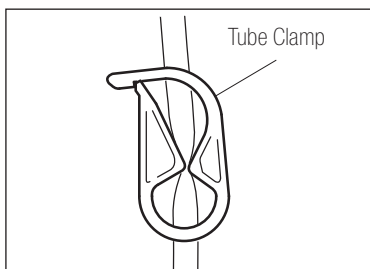


Fig.8

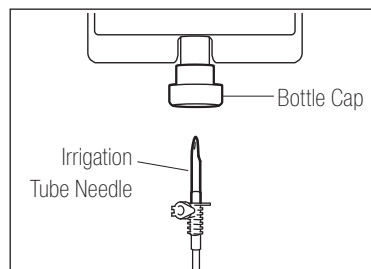


Fig.9

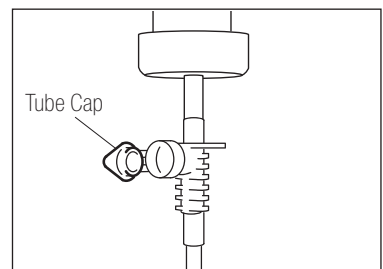


Fig.10

 **CAUTION**

- Do not operate the Irrigation Pump if the tube is bent or the Tube Clamp is in the closed position. This could cause the tube to burst or slip out of the bottle.

4-8 Compatibility check of Internal Irrigation Nozzle/Drill

Internal irrigation nozzles accompanied with this product; is not necessarily fitted into all the drills on the market. Follow the instructions given below for confirmation prior to use. Failure to do so or to fit the Internal Irrigation Nozzle into drills may cause a leakage of saline solution, which will result in problems such as rust or sudden stop of equipment during use.

* To mount the Drill, refer to attached Handpiece Operation Manual.

Instructions:

- 1) Attach a bottle of saline solution to the Control Unit.
- 2) Connect the Internal Irrigation Nozzle into the tip of the irrigation tube.
- 3) Insert the Internal Irrigation Nozzle into the drill from the back. (Fig.11)
- 4) Purge at "Maximum" for 5 seconds.

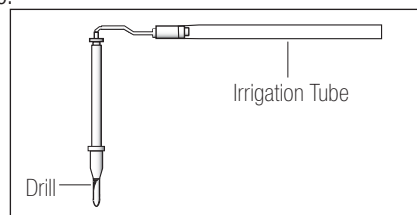


Fig.11

Points to be checked:

- Cleanliness of the saline solution coming out from the drill; if solution is colored there could be rust inside of the drill. If so renew the drill.
- Water Flow; if the flow is low and/or the flow from the drill is asymmetric, renew the drill.
- No water leakage between Internal Irrigation Nozzle and drill before use, ensure no water is leaking from the entry point of irrigation nozzle, a broken seal or no seal in the drill may be the cause. Replace the drill even if its new, saline solution ingress into handpiece will cause malfunction.



CAUTION

- If malfunction such as a leakage of saline solution from the back of Contra Head is detected during use, stop using and perform some troubleshooting.

4-9 Irrigation Nozzle Attachment

X-SG20L and SG20 has 3 irrigation methods available depending on tool and application; External, Internal or both, for installation detail, refer to the attached handpiece Operation Manual.

4-10 Attaching the Tube Holder

Use the Motor Cord as a strain relief for the 'Irrigation Tube'. It is easier to insert Motor Cord first, then the Irrigation Tube. (Fig.12)

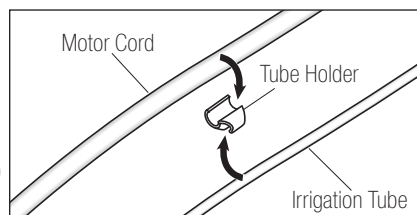


Fig.12

4-11 USB flash drive (Not supplied) (Surgic Pro+ ONLY)

- 1) Open the Insertion Opening Cover on the Control Unit side.
- 2) Completely insert the USB flash drive. The USB mark will appear on the LCD DISPLAY when USB flash drive is recognized by the device. (Fig.13)



CAUTION

- Do not apply strong impact to USB flash drive when it is connected. When the USB flash drive is not connected, close the Insertion Opening Cover.

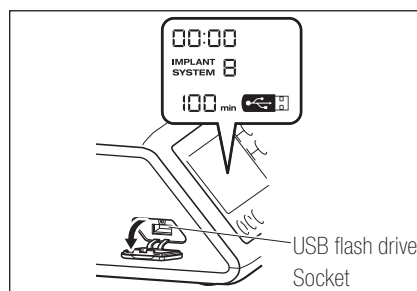


Fig.13

5. Setting

5-1 Clock and Date

By setting the date and time, data on treatment will be recorded by day. (See 6-5 USB Function to learn how to store data on a USB flash drive.)

NOTICE

- Set the Clock before you use this system.
- If the clock display does not appear or is shown as “- : - -” the internal batteries may have run out. Contact the retailer where device was purchased.
- The clock runs on a 24-hour display system.
- The years can be set from 2010 to 2099.

- 1) Push both the USB REC key and SPEED (-) for about 2 seconds.
- 2) The setting screen will appear on the LCD. Settings can be made for year, month, day, hour, and minute in that order. Input the data, and press the USB REC key to move to the next item. (The item you have chosen will blink.)
- 3) Change numbers by pressing the SPEED (+ -) key. A long push will increase numbers in increments of 5.
- 4) When all items are set, press the USB REC key for 2 seconds to save settings.

**CAUTION**

- If the power goes off while settings are being made, the changes will not be saved. Start once more at the beginning.
- If data is already stored in the internal memory, it will not be possible to set the date.

5-2 Illumination Adjustment (X-SG20L Only)

Repeat press LIGHT key to cycle through light levels. Pressing LIGHT key to change illumination volume. (OFF → LOW → HIGH) (Default is HIGH)

To save the changes, press the MEMORY key for at least 2 seconds.

NOTICE

- Repeat the above procedures when restoring operation.
- The lamp status will remain set even if the power is switched “OFF” and “ON”.
- This function is only applicable for an optic motor and handpiece.

5-3 Sound Volume

It is possible to change the volume for operation and warning sounds for keys.

- 1) Turn on the power while pressing the [CAL] key.
- 2) When turning ON, the volume will alternate between “Large” and “Low”. (The default is “Low”)
* Sound Volume is not displayed on the LCD Display. The actual sound changes.

NOTICE

- Settings will be saved even if the power is turned off.

5-4 Factory Settings

When initialized, the device will revert to factory settings. Preferred settings and programs, etc. will be erased, so be sure to make memos of them.

- 1) Turn power on while pressing the PROGRAM (+ -) Key.
- 2) “Set” will come up on the LCD Display. (there will also be a short beep) By pressing [CAL] key, the device will revert to factory settings.
- 3) “Fin” will come up on the LCD Display. (there will also be a long beep) Initializing is complete when the screen goes back to its usual display.

**CAUTION**

- Even when the device reverts to factory settings, date and time data will not be initialized.

6. Operation

6-1 Programming the Micromotor Operation

The Control Unit can memorize 8 programs. Each program includes the following functions which will be automatically performed when the appropriate program number is selected.

Gear ratio of contra angle handpieces

Speed

Direction of rotation

Torque upper limit

Coolant Solution Flow

Light Level

Power Switch Symbol Mark	○	I
Function	OFF	ON

- 1) Turn on the power by pushing the Main Power Switch toward [I]; on power up IMPLANT SYSTEM Number 1 program number 1 is displayed by default.
- 2) Select a program number by using either step (a) or step (b):
 - (a) Press the PROGRAM (+ -) Key on the Control Panel until the desired program number is displayed.
 - (b) Press the PRG(Program) Button on the Foot Control until the desired program number is displayed.
- 3) Selecting the Rotate direction of the handpiece. Select it by using either step (a) or (b):
 - (a) Press FWD/REV Key on the Control Panel until the desired direction is displayed.
 - (b) Press the Forward/Reverse Button on the Foot Control until the desired direction is displayed.

NOTICE

- There will be a beeping sound while "R" is displayed.
- Beeping sounds heard during rotations and when the device is stopped are not the same. Different sounds do not indicate a malfunction.

- 4) Selecting the Gear ratio of contra angle handpieces relevant to the program; Press the GEAR Key to select the gear ratio of the handpiece (Gear Ratio will display on the LCD).
- 5) Set the required max operating speed by pressing the SPEED (+ -) Key. Each time this Key is pressed display changes to the next speed level. By pressing this Key for more than 1 second brings the speed quickly to the next level until the speed display reaches its upper or lower limit.
 - When the speed setting reaches the upper or the lower limit, an audible beep is heard and the speed setting cannot be changed any further.
- 6) Set the torque upper limit by pressing the TORQUE Key on the Control Panel. Each time this Key is pressed display changes to the next torque level. By pressing this Key for more than 1 second brings the torque quickly to the next level until the torque display reaches its upper or lower limit.
 - When the torque setting reaches the upper or the lower limit, an audible beep is heard and the torque setting cannot be changed any further.
- 7) The level of Coolant Solution Flow volume has 6 Flow level (0-5) (0 = no coolant Flow). Select a Coolant Solution Flow Volume using either step (a) or step (b):
 - (a) Press the COOLANT Key on the Control Panel until the desired flow level is displayed.
 - (b) Press the Coolant Solution Flow Volume Button on the Foot Control until the desired flow level is displayed.
- 8) After completing steps 2) - 7). press and hold MEMORY Key until beep is heard. The beep confirms that the programming is completed. If you hear a short beep when the MEMORY Key is first pressed ignore this sound and keep the MEMORY Key depressed until a long beep is heard.

* Repeat the above steps 2) - 8) to program any one of the 8 available programs.

6-1-1 Program Skip Function

When switching programs using the Foot Control, Program Numbers that are not chosen can be chosen ahead of time.

- 1) Choose Program Numbers that you want the Control Unit to skip.
- 2) Use the SPEED (-) Key to display the Minimum Rotation Speed.
- 3) Release the SPEED (-) Key, and then push it again. Display "---" on the LCD.
- 4) Push the MEMORY Key until it beeps (about 2 seconds) to memorize.

NOTICE • It is possible to choose programs that have been skipped using the Control Unit.

6-2 IMPLANT SYSTEM

Surgic Pro Series can memorize 8 different IMPLANT SYSTEMS. Also, you can program 8 steps in one SYSTEM number which you use. When you set the program, refer to values which Implant manufacture recommends.

When programming each IMPLANT SYSTEM, the SYSTEM number may be changed by pressing the PROGRAM (+) and (-) Key simultaneously.

6-3 Calibration Function

The rotation resistance of a handpiece depends on the handpiece model, condition, and internal wear of the handpiece gears. This Control Unit incorporates an automatic function to recognize the level of the resistance of the attached handpiece and motor.

NOTICE • This equipment is optimized to obtain the highest calibration accuracy at a gear ratio of 20:1. For calibration USE ONLY the 20:1 reduction handpiece listed on “12. Contra Angle Handpieces and Accessories”.

- Micro saw handpiece should not be calibrated.
- Calibration should be performed only on NSK handpiece.

6-3-1 Calibration preparation

- 1) Attach Gear Ratio (Reduction Ratio) 20:1 handpiece to the motor.
- 2) Attach the Calibration Bur to the handpiece.
- 3) Press the [CAL] key for about 2 seconds. There will be a beep and the display will switch to Calibration Mode.

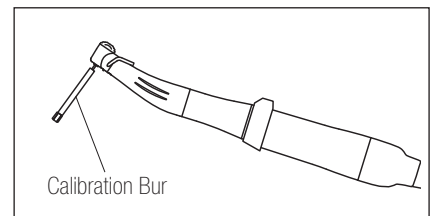


Fig.14

6-3-2 Conducting Calibration

CAUTION

- Do not apply load during no-load calibration. If load is applied, “FAIL” will appear on the LCD, and calibration will stop.

- 1) No-load calibration ··· torque display “L”

Hold the motor in your hand and make sure that “L” is displayed on the torque display. Push [CAL] key without applying load. The calibration bur will begin to rotate. Calibration is complete when there is a beep and “donE” appears on the display.



- 2) Load calibration ··· torque display “H”

Make sure “H” is displayed on the torque display, plug the calibration bur into the Calibration Load. Push [CAL] key (The calibration is done while applying Calibration Load, so securely grasp the handpiece. The calibration bur will begin to rotate. Calibration is complete when there is a beep and “donE” appears on the display).



- 3) Speed calibration

Remove the bur from the Calibration Load then press the [CAL] key (Calibration bur should not touch anywhere). The bur will begin to rotate at a slow speed. After rotating slowly for 8 seconds, the bur will rotate at high speed for 8 seconds. There will a beep when calibration is complete. Calibration mode will finish automatically.



CAUTION

- During a process, it is important to hold the Calibration Bur vertically without applying any forcible power. Making the Calibration Bur tilt or pressing it may cause a loss in accuracy.

Calibration fail example

- Extreme gear abrasion and mechanical loss can exceed the control limits. Correct data cannot be obtained during calibration cycle and the calibration will fail. In this case, request repair.
- If nonconformities such as extreme abrasion of the gear and mechanical loss exceed the control limit, correct data cannot be obtained during calibration will fail. In this case, request repair.
- Calibration fail; if the calibration bur makes contact with something during no load calibration or no load is erroneously applied during load calibration.

6-4 Standard Operation

- 1) Select the desired program number.

Control Unit: Press PROGRAM (+ -) Key.

Foot Control: Step on the Foot Control PRG (Program) Pressing the PRG (Program) Button for 1 second more will descend the to the next program number.

- 2) Step on the Speed Control Pedal in the middle of the Foot Control the motor will start to run. The Coolant Pump will also run (if programmed). Speed increases as the pedal is depressed. When the Speed Control Pedal is fully depressed the speed reaches the maximum preset value.
- 3) Reversing the motor rotational direction: To reverse direction of the motor (and bur) simply step on the Foot Control Forward/Reverse Button. A warning beep can be heard when the rotational direction is in reverse mode.



CAUTION

- Using the Micromotor with light 'ON' for more than 3 minutes continuously, motor will become hot (The maximum surface temperature might reach 45°C by the situation used). In such cases, stop using the Micromotor till the light part cools down, or use the Micromotor without turning on the light.
- Activation of the torque limiter: During use, when the drilling load reaches the preset torque upper limit, the integrated torque limiter automatically activates to prevent over torque. When the torque limiter activates, the motor stops after beeping for 1 second. To reactivate the Micromotor, release the speed control pedal and depress it again.

- 4) Release the Foot Control Pedal, and the Micromotor will automatically stop.

6-5 USB Function (Surgic Pro⁺ ONLY)

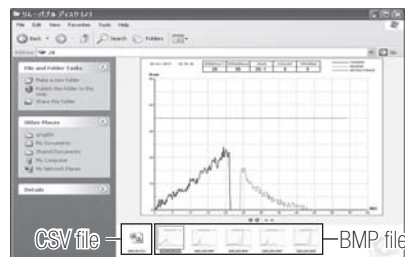
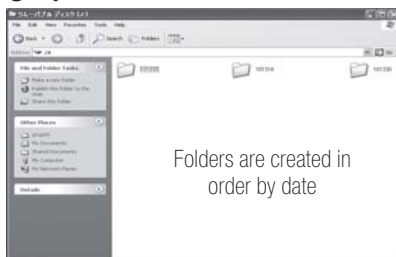
NOTICE

- When the clock is not set, the time and date will not be recorded on data. It is recommended that the clock be set before using the device.

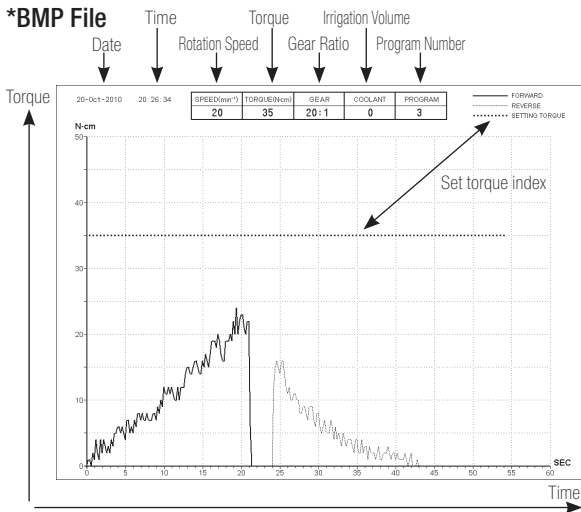
The internal clock is used along with the different operations of this device (date used, starting time, length of time, Gear Ratio, level of Coolant Solution Flow, Rotation Speed, FWD/REV, Torque, Program Number), making it possible to store data in chronological order on USB flash drive (CSV files, BMP files).

Stored data can be viewed on a personal computer.

*Files and graphs saved



NOTICE • A BMP file can only be created only when Gear Ratio is 20:1 and the rotation speed is 50min⁻¹ or less.



CAUTION

- Total recording time is about 100 minutes.
- Do not insert a USB flash drive during operation. Only insert after operations are completed in order to store data.
- Do not use data stored in USB flash drive for diagnostic purposes.
- Do not use a USB flash drive other than USB 2.0. (To 32GB verification being completed)
- Do not remove USB flash drive while the LED lamp is on or blinking.
- The LED lamp and their meanings are given below:
lamp on = internal memory is copying data, blinking = USB flash drive is storing data.
- This device is not guaranteed to work with all USB flash drive. It may not work with USB flash drive with security functions or those which use a great deal of electricity.
- Do not turn the device on or off with the USB flash drive inserted.
- Be careful to insert the USB flash drive in the correct direction.
- When a USB flash drive is not connected, close the cover of the connector.
- If power is turned off, the internal memory will be erased. Turn off power after storing data on USB flash drive.

6-5-1 Internal memory

After power is turned on and the motor begins to rotate, memorizing will begin automatically (A USB flash drive need not be connected).

6-5-2 Transmitting stored data

- 1) Insert a USB flash drive (When correctly recognized, the USB flash drive mark will appear on the LCD).
- 2) Push the USB REC key to copy stored data onto the USB flash drive (During the control unit copying the data. LED lamp blink).

NOTICE

- Distinguish rotating direction and torque that has been set using line types.
- While in operation (memorizing), the LED lamp will light up. About 10 seconds after operation stops, the LED lamp will turn off and memorizing will stop temporarily (The time counter will also stop temporarily).

6-5-3 Resetting

Press the USB REC key for at least 2 seconds. The amount of remaining recording time will be reset after the beep goes off (Initialized time: 100 min).

7. Protection Circuit

An electronic circuit breaker automatically functions to protect the motor and the Control Unit if the motor is ever overloaded. Power supply to the motor will automatically be terminated and an Error code will be displayed on the Control Unit.

When torque exceeds the set figures, "SAFE" will appear on the LCD, and the device will stop.

*Resetting the Protection Circuit

To reset the Protection Circuit, release and then depress the Speed Control Pedal.

8. Error Code & Troubleshooting

If an operational problem occurs the display will show an Error Code allowing immediate problem diagnosis.

When an error occurs, there will be a beep and an Error Code will appear on the LCD. The Error Code will blink until the error is alleviated. The USB REC LCD will go on for about 10 seconds.

Release and then depress the Foot Control to perform an error check again. If no problem is found, the error is canceled and operations can continue.

Error code	Error Mode	Cause of Error	Remedy
E0	System Error.	Memory failure. (Surgic Pro +) - Erroneous memory. (Not USB) - USB flash drive other than the type stipulated (mouse, printer, etc.) is connected.	Request repair.
E1	Excessive Current Detected.	Extended use under heavy load. Short circuit in the motor.	Electrical contact may be insufficient. Securely re-connect the Motor Cord.
E2	Excessive Voltage Detected.	Motor cord failure.	When an error cannot be eliminated, request repair.
E3	Motor Sensor Error.	Motor sensor failure (Hall IC). Motor Cord failure.	
		Ingress of water into a Motor.	Request repair. Make sure to put a Protection Plug when Thermo-disinfecting it.
E4	Control Unit Interior Over-heating Error.	Overheating by extended use under heavy load. Operation of the Control Unit under an extremely high temperature.	Allow it to cool down before use. Since heat is sufficiently radiated, periphery of the main Control Unit should be well-ventilated wherever possible. When an error cannot be eliminated, request repair.
E5	Breaking Error.	Abnormal voltage generated in the start / stop switch circuit. Failure in the start / stop switches circuit.	When rotation and stop are repeated in short frequencies, a circuit may be activated which limits acceleration at start. Wait a few seconds and then use. When an error cannot be eliminated, request repair.
E6	Motor Rotation Failure Error.	Handpiece attachment failure. Motor failure.	The chuck may be opened, or may not be sufficiently closed. Securely close the chuck. When an error cannot be eliminated, request repair.

E7	Pump excess voltage.	The Irrigation tube is incorrectly fitted and loading the pump roller. The pump fails.	Check the Irrigation tube. If an Error Code is displayed even when the Irrigation tube is normal, request repair.
E8	Pump excess current.		
E9	Foot Control abnormality.	Connection failure of the connector. Failure of the inside of the Foot Control.	Check the connection state of the connector. The Error Code is displayed even when the connector is normally connected, request repair.
E10	LED excess voltage (Optic Motor).	Failure of LED circuit.	Request repair.
E11	LED excess current (Optic Motor).	Check if the saline solution hasn't penetrated the motor lamp.	Remove the saline solution completely.
		Failure of LED circuit.	Request repair.

Errors Related to the USB Function (Displayed on the "Memory Time" indicator)

Error code	Cause of Error	Remedy
UE0	USB flash drive other than the type stipulated is connected ("EO" will be displayed on the SPEED screen).	Please connect using the proper type of USB flash drive.
UE1	USB flash drive module circuit error.	Notify retailer where device was purchased.
UE2	Data cannot be stored on USB flash drive for the one of the following reasons: <ul style="list-style-type: none"> • Lack of available memory on USB flash drive. • Use of a USB flash drive on which copying is prohibited. • File name is already in use. • Other USB flash drive related error. 	<ul style="list-style-type: none"> • Replace USB flash drive. • Remove lock that prevents copying. • Change the file name. • Read instructions for USB flash drive use.

Error	Cause of Error	Remedy
Screen is blank.	Plug to power source is not properly inserted.	Check to make plug is in.
	Blown fuse.	Replace fuse.
	Malfunction of power switch.	Request repair.
Rotation number display is "--" and numbers are displayed and numbers alternate.	Power is on while Foot Control is being pressed.	Remove foot from Foot Control.
	Foot Control malfunction.	If the problem is solved by removing the Foot Control, the Foot Control has malfunctioned. Repair is required.
	Control Unit malfunction.	If the problem is not solved by removing the Foot Control, the unit has malfunctioned. Repair is required.
Will not rotate even if the Foot Control is pressed.	Cord connection is loose.	Check connection.
	Malfunction of Control Unit or Foot Control.	If the problem is not solved by checking the connection, system repair is required.

9. Fuse Replacement

If the Control Unit does not function, check the fuses (Fuse Box lock located on the rear of the Control Unit). To access the Fuse, use a pointed tool push on the fuse locking latch and the drawer will spring open. (Fig.15)

Fuse Ratings		
120V	T3.15AL	250V
230V	T1.6AL	250V

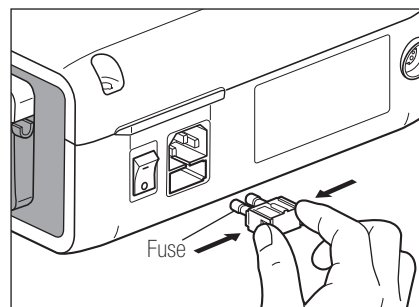


Fig.15


10. Maintenance

10-1 Maintenance of the Control Unit and Foot Control

If blood or saline solution has stained the Control Unit or Foot Control, remove the AC Electrical Cord; wipe Control Unit or Foot Control with a damp cloth, then with an alcohol-absorbed cloth.

10-2 Maintenance of the Handpiece and Motor

Remove debris from the product. Do NOT use a wire brush. Wipe clean with alcohol-immersed cotton swab or cloth.

 This handpiece and motor can be cleaned and disinfected with a Thermo-Disinfector.

Attach the Protection Plug to the motor.

For detail, refer to the Thermo-Disinfector's Operation Manual.

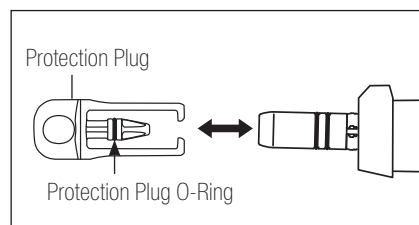


Fig.16



CAUTION

- Always use the Protection Plug during Thermo-Disinfector.
- Do not use Protection Plug without the mounting O-Ring. It may cause a malfunction. If O-Ring had damaged, replace it immediately.
- For information on the handpiece, see the operation manual for the handpiece.

NOTICE

- Protection Plug O-ring is consumable supply. If it damaged, replace it new one.
Optional Protection Plug: Order Code 10001595
Protection Plug O-Ring: Order Code 0312457102

11. Sterilization

 This handpiece and motor can be autoclavable up to Max.135°C.

- Autoclave sterilization is recommended.
- Autoclave sterilization is required for the first time use and after each patient as noted below.



CAUTION

Only Items Specified below can be autoclaved.

- | | | |
|------------------------------|------------------------------|-------------------|
| • Handpiece | • Micromotor with Motor Cord | • Handpiece Stand |
| • Internal Irrigation Nozzle | • Tube Holder | • Nozzle Holder |
| • Protection Plug | • Calibration Bur | |

*Autoclaving

- 1) Remove blood and debris from the handpiece and motor.
- 2) Clean inside the handpiece; by using the spray lubricant.
- 3) Place those in autoclave pouch (not included in the package) and seal it.
- 4) Autoclavable up to max. 135°C.
ex.) Autoclave for 20 min. at 121°C, or 3 min. at 134°C.

- 5) Keep the handpiece in the autoclave pouch to keep it clean until you use it.

* EN13060/EN ISO17665-1 recommends autoclaving for 3 minutes (minimum holding time) at 134°C or 15 minutes(minimum holding time) at 121°C.

NSK recommends Class B sterilization.



CAUTION

- Clean and lubricate the handpiece before autoclaving. Autoclaving a handpiece stained with blood or debris could cause damage to the handpiece.
- Do not lubricate the micromotor.
- Do not disconnect the motor cord from the micromotor.
- The Irrigation tube is a single use and cannot be autoclaved.
- We do not recommend you to sterilize on plasma sterilization or EOG sterilization.

12. Contra Angle Handpieces and Accessories

Listed below are the contra angle handpieces which should be used with the Surgic Pro micromotor to guarantee torque accuracy.

Order Code	Description	Remarks
C1003	X-SG20L	Optic surgial handpiece.
C1010	SG20	Non-optic surgial handpiece.
C1068	X-DSG20L	Optic dismantling surgial handpiece.
C1067	X-DSG20	Non-optic dismantling surgial handpiece.
C1076	X-DSG20Lh	Optic dismantling surgial handpiece with hexagon.
C1075	X-DSG20h	Non-optic dismantling surgial handpiece with hexagon.

Order Code	Description	Remarks
C823752	Y-Connector	Used for branching the internal and external coolant irrigation.
Y900113	Irrigation tube (Pack of 5)	For replacement tube use.
20000396	Nozzle Holder (for X-SG20L)	Supplied as standard accessory items.
20000357	Nozzle Holder (for SG20)	Supplied as standard accessory items.
10000324	Internal Irrigation Nozzle	Supplied as standard accessory.
Y900083	Tube Holder	Supplied as standard accessory for Irrigation Nozzle.
Z182100	PANA SPRAY Plus	For High & Low speed handpieces.

13. Specification

(Control Unit)

Model	Surgic Pro+ (with USB) Surgic Pro (Without USB)
Type	NE250 (with USB) NE294(without USB)
Power Supply Voltage	AC120/230V
Frequency	50/60Hz
Power Consumption	40VA
Max. Pump Output	75ml/min
Dimensions	W265xD220xH100mm

(Micromotor)

Model	SGL70M	SG70M
Type	E1023	E1025
Rotation Speed Range	200 – 40,000 min ⁻¹	
Input Voltage	DC24V	
Dimensions	Ø23.5xL103.3mm (without cord)	
Cord Length	2m	
OPTIC	White LED	–

(Foot Control)

Model	FC-78
Cord Length	2m

14. Disposing Product

Consult with dealer from whom you purchased it about waste disposal.

15. Symbols



TUV Rhineland of North America is a Nationally Recognized Testing Laboratory (NRTL) in the United States and is accredited by the Standards Council of Canada to certify electro-medical products with Canadian National Standards.



This product is designed not to become the ignition source in air and flammable anesthetic gas.



The EU directive 93/42/EEC was applied in the design and production of this medical device.



Protected against the effects of continuous immersion in dust and water.



Dispose of this device and its accessories via methods approved for electronic device and in compliance with the Directive 2012/19/EU.



Type BF applied part



See Operation Manual



Marking on the outside of Equipment or Equipment parts that include RF transmitters or that apply RF electromagnetic energy for diagnosis or treatment.

16. EMC Information (Electromagnetic Compatibility Information)

Guidance and manufacturer's declaration - Electromagnetic Emissions.

Surgic Pro series is intended for use in the electromagnetic environment specified below. The customer or the user of the Surgic Pro series should assure that is used in such an environment. Guidance and manufacture' sdeclaration electromagnetic emissions.


Emissions test	Compliance	Electromagnetic environment - guidance
RF emissions CISPR11/EN55011	Group 1	Surgic Pro series uses RF energy only for its internal function. Therefore, its RF emissions are very low and are not likely to cause any interference in nearby electronic equipment.
RF emissions CISPR11/EN55011	Class B	Surgic Pro series is suitable for use in all establishments, including domestic establishments and those directly connected to the public low-voltage power supply network that supplies buildings used for domestic purposes.
Harmonic emissions IEC61000-3-2/EN61000-3-2	Class A	
Voltage fluctuations/flicker emissions IEC61000-3-3/EN61000-3-3	Complies	

Guidance and manufacturer's declaration - Electromagnetic Immunity

Surgic Pro series is intended for use in the electromagnetic environment specified below. The customer or the user of the Surgic Pro series should assure that it is used in such an environment.

Immunity test	IEC/EN60601 test level	Compliance level	Electromagnetic environment - guidance
Electrostatic discharge (ESD) IEC61000-4-2/EN61000-4-2	± (2, 4) 6 kV contact ± (2, 4) 8 kV air	± (2, 4) 6 kV contact ± (2, 4) 8 kV air	Floors should be wood, concrete or ceramic tile. If floors are covered with synthetic material, the relative humidity should be at least 30%.
Electrical fast transient/burst IEC61000-4-4/EN61000-4-4	± 2kV for power supply lines ± 1kV for input/output lines	± 2kV for power supply lines ± 1kV for input/output lines	Mains power quality should be that of a typical commercial or hospital environment.
Surge IEC61000-4-5/EN61000-4-5	± 1kV differential mode ± 2kV common mode	± 1kV differential mode ± 2kV common mode	Mains power quality should be that of a typical commercial or hospital environment.
Voltage dips, short interruptions and voltage variations on power supply input lines IEC61000-4-11/EN61000-4-11	<5% Ut (>95% dip in Ut) for 0.5 cycle 40% Ut (60% dip in Ut) for 5 cycles 70% Ut (30% dip in Ut) for 25 cycles <5% Ut (>95% dip in Ut) for 5 sec	<5% Ut (>95% dip in Ut) for 0.5 cycle 40% Ut (60% dip in Ut) for 5 cycles 70% Ut (30% dip in Ut) for 25 cycles <5% Ut (>95% dip in Ut) for 5 sec	Mains power quality should be that of a typical commercial or hospital environment. If the user of the Surgic Pro series requires continued operation during power mains interruptions, it is recommended that the Surgic Pro series be powered from an uninterruptible power supply or a battery.
Power frequency (50/60Hz) magnetic Field IEC61000-4-8/EN61000-4-8	3A/m	3A/m	Power frequency magnetic fields should be at levels characteristic of a typical location in a typical commercial or hospital environment.

NOTE 'Ut' is the AC mains voltage prior to application of the test level.

Guidance and manufacturer's declaration - electromagnetic immunity			
Surgic Pro series is intended for use in the electromagnetic environment specified below. The customer or the user of the Surgic Pro series should assure that it is used in such an environment.			
Immunity test	IEC/EN60601 test level	Compliance level	Electromagnetic environment - guidance
Conducted RF IEC61000-4-6/EN61000-4-6	3V rms 150 kHz to 80MHz	3V rms	Portable and mobile RF communications equipment should be used no closer to any part of the Surgic Pro series, including cables, than the recommended separation distance calculated from the equation applicable to the frequency of the transmitter.
Radiated RF IEC61000-4-3/EN61000-4-3	3V/m 80MHz to 2.5 GHz	3V rms	<p>Recommended separation distance</p> $d = 1.2\sqrt{P}$ $d = 1.2\sqrt{P} \quad 80\text{MHz to } 800\text{MHz}$ $d = 2.3\sqrt{P} \quad 800\text{MHz to } 2.5\text{GHz}$ <p>Where P is the maximum output power rating of the transmitter in watts (W) according to the transmitter manufacturer, and (d) is the recommended separation distance in meters (m).</p> <p>Field strengths from fixed RF transmitters as determined by an electromagnetic site survey(a) should be less than the compliance level in each frequency range(b).</p> <p>Interference may occur in the vicinity of equipment marked with the following symbol:</p> 
NOTE1 At 80MHz and 800MHz, the higher frequency range applies.			
NOTE2 These guidelines may not apply in all situations. Electromagnetic propagation is affected by absorption and reflection from structures, objects and people.			
<p>a Field strengths from fixed transmitters, such as base stations for radio (cellular/cordless) telephones and land mobile radios, amateur radio, AM and FM radio broadcast and TV broadcast cannot be predicted theoretically with accuracy. To assess the electromagnetic environment due to fixed RF transmitters, an electromagnetic site survey should be considered. If the measured field strength in the location in which the Surgic Pro series is used exceeds the applicable RF compliance level stated above, the Surgic Pro series should be observed to verify normal operation. If abnormal performance is observed, additional measures may be necessary, such as reorienting or relocating the Surgic Pro series.</p> <p>b Over the 150kHz to 80MHz frequency range, the field strength should be less than 3V/m.</p>			

Cables and accessories	Maximum length	Shield	Complies with
Micromotor with Motor Cord	2.0M	Unshielded	RF emissions, CISPR11: Class B/ Group 1
Foot Controller with Cord	2.0M	Unshielded	Harmonic emissions: IEC61000-3-2/EN61000-3-2
AC Power Cord	2.0M	Unshielded	Voltage fluctuations/ flicker emission: IEC61000-3-3/EN61000-3-3
			Electrostatic discharge (ESD): IEC61000-4-2/EN61000-4-2
			Electrical fast transient/burst IEC61000-4-4/EN61000-4-4
			Surge: IEC61000-4-5/EN61000-4-5
			Voltage dips, short interruptions and voltage variations on power supply input lines: IEC61000-4-11/EN61000-4-11
			Power frequency(50/60Hz) magnetic field: IEC61000-4-8/EN61000-4-8
			Conducted RF: IEC61000-4-6/EN61000-4-6
			Radiated RF: IEC61000-4-3/EN61000-4-3

Recommended separation distances between portable and mobile RF communications equipment and the Surgic Pro series.			
The Surgic Pro series is intended for use in an electromagnetic environment in which radiated RF disturbances are control LCD. The customer or the user of the Surgic Pro series can help prevent electromagnetic interference by maintaining a minimum distance between portable and mobile RF communications equipment (transmitters) and the Surgic Pro series as recommended below, according to the maximum output power of the communications equipment.			
Rated maximum output power of transmitter W	Separation distance according to frequency of transmitter m		
	150kHz to 80MHz $d=1.2\sqrt{P}$	80MHz to 800MHz $d=1.2\sqrt{P}$	800MHz to 2.5GHz $d=2.3\sqrt{P}$
0.01	0.12	0.12	0.23
0.1	0.38	0.38	0.73
1	1.2	1.2	2.3
10	3.8	3.8	7.3
100	12	12	23
For transmitters rated at a maximum output power not listed above, the recommended separation distance 'd' in meters (m) can be estimated using the equation applicable to the frequency of the transmitter, where 'P' is the maximum output power rating of the transmitter in watts (W) according to the transmitter manufacturer.			
NOTE1 At 80 MHz and 800 MHz, the separation distance for the higher frequency range applies.			
NOTE2 These guidelines may not apply in all situations. Electromagnetic propagation is affected by absorption and reflection from structures, objects and people.			

Surgic Pro

Merci d'avoir acheté l'unité chirurgicale Surgic Pro de NSK.

Avant toute utilisation, nous vous recommandons de bien lire ce document reprenant les instructions d'utilisation, le mode d'emploi et la marche à suivre pour entretenir l'appareil de manière à pouvoir continuer à utiliser l'unité. Veillez en outre à conserver ce manuel à un endroit où l'utilisateur pourra le consulter à tout moment



◆ Destination

Le Surgic Pro est destiné à une utilisation de chirurgie orale dentaire par du personnel qualifié.

Une table des matières



1. Mesures de sécurité à respecter avant toute utilisation	24
2. Contenu de l'emballage	26
3. Boîtier de contrôle et Pedale de controle	27
4. Installation	29
5. Réglage	33
6. Utilisation	34
7. Circuit de protection	39
8. Codes d'erreur & Dépannage	39
9. Remplacement fusible	41
10. Entretien	42
11. Stérilisation	42
12. Contre-angles et Accessoires optionnels	43
13. Spécifications	43
14. Elimination du produit	43
15. Symboles	44
16. Compatibilité électromagnétique L'information	44

◆ Classification de l'équipement

- Type de protection contre les chocs électriques :
 - Equipement de classe 1
- Degré de protection contre les chocs électriques :
 - Type BF pièce appliquée 
- Méthode de stérilisation ou de désinfection recommandée par le fabricant :
 - Cf. Chapitre 11. Stérilisation
- Degré de protection contre l'introduction d'eau, comme détaillé dans l'édition actuelle de l'IEC 60529 :
 - Pédale de contrôle : IPX8 (protection contre les effets de l'immersion continue dans l'eau)
- Niveau de sécurité de l'appareil en présence de mélanges anesthésiants inflammables avec de l'air, de l'oxygène ou de l'oxyde d'azote :
 - Pédale de contrôle, moteur : Equipement catégorie AP 
- Utilisation :
 - Utilisation intermittente

Précautions d'emploi et d'utilisation

- Lisez bien ces instructions de sécurité avant d'utiliser l'appareil et utilisez le produit conformément à celles-ci.
- Ces recommandations ont pour but d'assurer une utilisation sûre de l'appareil et d'éviter tout risque de blessure pour vous et autrui. Ces risques sont classés par degré de danger, de dommage et de gravité. Tous les indicateurs concernent la sécurité, veillez à bien les respecter.

Classification	Niveau de danger ou danger et gravité
 AVERTISSEMENT	Explique une instruction s'il existe un risque de dommage physique ou de blessure personnelle.
 ATTENTION	Explique une instruction s'il existe un risque de dommage physique ou de blessure personnelle mineure à moyenne.
REMARQUE	Explique une instruction à respecter pour des raisons de sécurité.

1. Mesures de sécurité à respecter avant toute utilisation

Merci de lire ce mode d'emploi avec attention avant toute utilisation.

AVERTISSEMENT

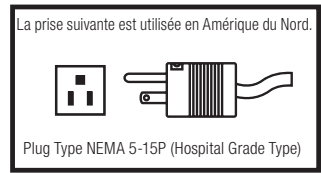
- Ne débranchez pas le cordon d'alimentation avec les mains humides pour éviter les chocs électriques.
- Veillez à ce que le boîtier de contrôle ne soit pas mouillé, sans quoi vous pourriez causer un court-circuit et des chocs électriques.
- Pour éviter les chocs électriques, merci de ne pas débrancher le cordon d'alimentation avec les mains humides
- Le système peut dysfonctionner s'il est utilisé en présence d'une vague d'interférences électromagnétiques. N'installez pas le système à proximité d'un appareil émettant des ondes magnétiques. Placez l'interrupteur du boîtier de contrôle en mode "Arrêt" si un appareil d'oscillation ultrasonique ou une électrode couteau situé (e) à proximité est utilisé.

ATTENTION

- La précision de l'indication du couple dépend de la performance du contre-angle attaché au micromoteur. La valeur réelle du couple ne peut pas s'afficher correctement. Pour garantir la précision du couple du contre-angle, qui correspond au système d'affichage peut utiliser UNIQUEMENT les contre-angles NSK listés "12. Contre-angles et Accessoires optionnels". Lorsque d'autres contre-angles sont connectés, il se peut que couple ne soit pas celui indiqué sur le contre-angle.
- Le Surgic Pro requiert une attention particulière en ce qui concerne la compatibilité électromagnétique et doit être installé et mis en service conformément aux informations relatives à la CEM.
- Les équipements de communication RF mobiles et portables peuvent affecter le Surgic Pro. N'utilisez pas d'équipement RF à proximité du produit.
L'utilisation d'accessoires, de moteurs et de câbles autres que ceux spécifiés (exception faite des moteurs et des câbles vendus par le fabricant du Surgic Pro en tant que pièces de remplacement des composants internes) peut déboucher sur une augmentation des EMISSIONS ou une diminution de l'IMMUNITÉ du boîtier de contrôle.
- Le Surgic Pro ne doit pas être utilisé à côté ou sur un autre équipement et si l'utilisation à côté ou sur un tel équipement est nécessaire, le boîtier de contrôle devra être contrôlé pour vérifier qu'il fonctionne normalement dans la configuration dans laquelle il est utilisé.
- Lorsque vous utilisez ce système, veillez toujours à la sécurité du patient.
- Lisez bien ce mode d'emploi avant d'utiliser l'appareil et veillez à bien comprendre les fonctions de chacune des parties.
- N'essayez pas de démonter le boîtier de contrôle / la pédale de contrôle / le micromoteur ou le mécanisme.

- Vérifiez les vibrations, le bruit et la surchauffe de l'appareil avant toute utilisation et, si vous constatez des anomalies pendant votre utilisation, arrêtez immédiatement d'utiliser l'appareil et contactez votre revendeur.
- Utilisez une prise électrique mise à la terre.
- Ne pas faire tomber, heurter ou soumettre à un choc excessif.
- Ne courbez pas le tube d'irrigation lorsque la pompe à eau fonctionne. Vous pourriez sectionner le tube.
- N'utilisez pas de fraises endommagées, courbées ou ne répondant pas aux normes. Le manche pourrait se courber ou se casser.
- Ne dépassez pas la vitesse recommandée.
- Après chaque utilisation, veillez à lubrifier et à stériliser la pièce à main dès qu'elle est propre. La coagulation sanguine peut en effet engendrer de la corrosion ou l'apparition de rouille. Cependant, ne lubrifiez pas le micromoteur. L'huile pourrait générer une chaleur excessive et causer des dommages.
- Le boîtier de contrôle peut être nettoyé avec un tissu humide. Débranchez l'alimentation avant le nettoyage. Le boîtier de contrôle et la pédale de contrôle ne peuvent pas être stérilisés, quelle que soit la méthode utilisée.
- Si le produit est très fréquemment utilisé, veillez à conserver un petit stock de pièces de rechange.
- Ne déconnectez pas le cordon moteur du moteur.
- N'essuyez pas, ne nettoyez pas ou n'immergez pas dans de l'eau très acide ou des solutions de stérilisation.
- Suivre le tableau ci-dessous pour la durée de fonctionnement du moteur et du contre-angle. L'utilisation en continu sur une longue période avec un couple élevé peut provoquer la surchauffe du contre-angle, et provoquer un accident.
- Pièces appliquées pour le patient et / ou l'opérateur de la pièce à main.
- Ne fixez pas les yeux sur l'écran LED.
- En cas d'anomalies (clignotement, pas de lumière, sombre) au niveau de l'écran LED, arrêtez de l'utiliser et contactez immédiatement votre revendeur.
- L'utilisation du micromoteur avec la lumière "ON" pendant plus de 3 minutes en continu, engendre une surchauffe du moteur (la température peut atteindre 45 °C) Dans ce cas, arrêter le micromoteur jusqu'à ce que la LED refroidisse ou utiliser le micromoteur sans lumière.
- La fiabilité de mise à la terre peut uniquement être atteinte si l'équipement est connecté à un réceptacle d'équipement présentant "Hospital Only" ou "Hospital Grade".
- Pour des raisons de sécurité, installez le boîtier de contrôle dans un endroit où le cordon d'alimentation CA peut facilement être enlevé. (Il est possible de déconnecter le boîtier de contrôle de la source d'alimentation en enlevant le cordon d'alimentation CA)

Mode d'opération	
Mode d'opération	
ACTIVÉ	DÉACTIVÉ
3 min.	10 min.



REMARQUE

- Eteignez le commutateur principal après chaque utilisation.
- Pour obtenir des pièces détachées et si votre appareil doit être réparé, veuillez contacter votre revendeur.
- L'utilisation du kit du tube d'irrigation jetable et prérépété de NSK est recommandée.
- La durée d'enregistrement totale peut atteindre jusqu'à 100 minutes. (Surgic Pro+ UNIQUEMENT)
- N'insérez pas de mémoire USB pendant l'utilisation.
- N'enlevez pas l'USB pendant que la lampe LED est allumée ou clignote.
- N'utilisez pas de données stockées dans la mémoire USB à des fins de diagnostic.
- N'utilisez pas de mémoire USB autre que l'USB 2.0.
- Cet appareil n'est pas garanti pour fonctionner avec toutes les mémoires USB. Il se peut qu'il ne fonctionne pas avec une clé USB avec des fonctions de sécurité ou demandant beaucoup d'électricité.

	Température	Humidité	Pression atmosphérique
Utilisation	Entre 0-40°C (32-104°F)	Entre 10-85% RH	Entre 700-1060 hPa
Conservation (Transport)	Entre -10-50°C (14-122°F)	Entre 10-85% RH	Entre 500-1060 hPa

Pas de condensation dans le boîtier de contrôle.
L'utilisation en dehors de ces limites peut entraîner un dysfonctionnement.

2. Contenu de l'emballage



* L'image illustre le Moteur optique, la Pièce à main lumière

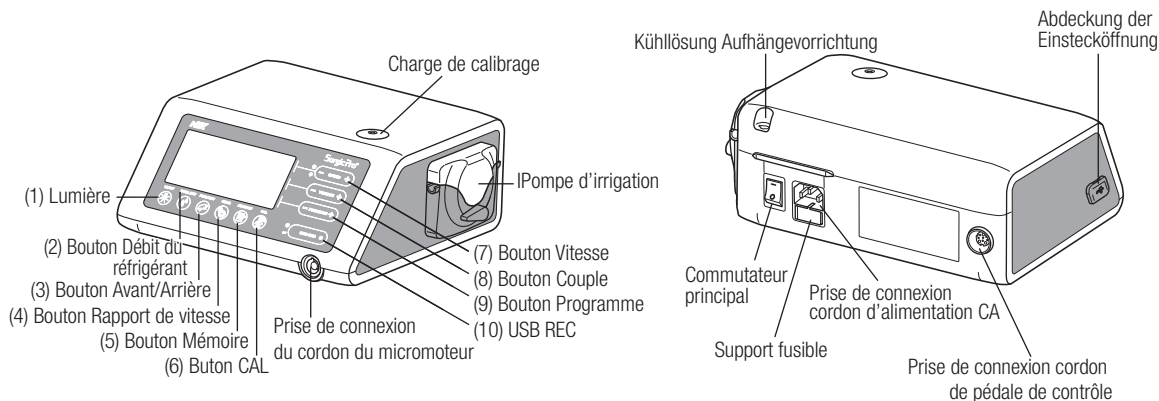
Article n°	Description	Quantité
①	Cordon d'alimentation CA (2 m)	1
②	Commande au pied avec cordon (2 m)	1
③	Boîtier de contrôle	1
④	Tube d'irrigation	5
⑤	Poste de fixation liquide de refroidissement	1
⑥	Pièce à main lumière/Pièce à main non lumière*	1
⑦	Moteur optique/Moteur non-optique (avec cordon moteur)*	1
⑧	Connecteur Y	1
⑨	Fusible de rechange	2
⑩	Support Tube	7

Article n°	Description	Quantité
⑪	Support pièce à main	1
⑫	Embout d'irrigation intrne	1
⑬	Support embout	1
⑭	Fil de nettoyage	1
⑮	Fraise de calibrage	1
⑯	Embout Spray Type E	1
⑰	Prise de Protection	1
⑱	Joint (Prise de Protection)	2
⑲	Joint (Moteur)	2

* Une de ces pieces a main / moteur devra etre emballe(e). (Dependant de la piece a main)

* USB non incluse.

3. Boîtier de contrôle et Pedale de contrôle

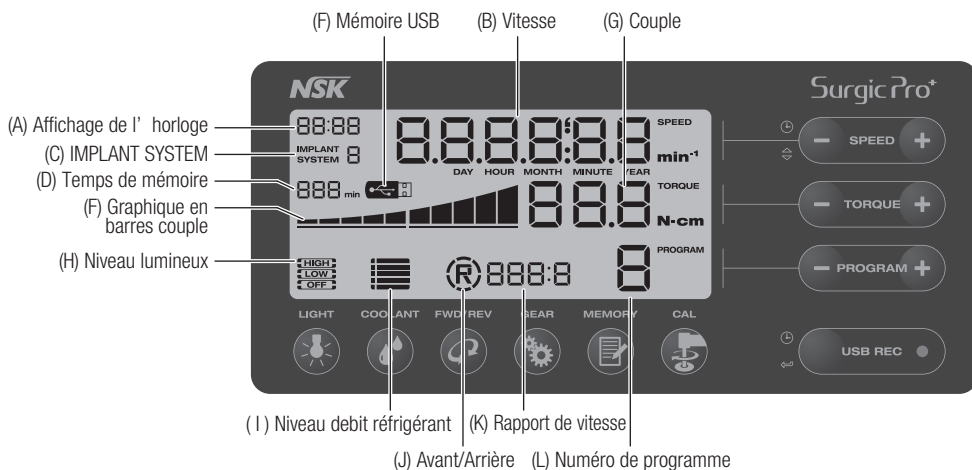


Si aucun numéro n'a été attribué à la fonction, cela sera expliqué plus tard.

3-1 Boutons sur le boîtier de contrôle

- (1) Bouton éclairage
Sélectionnez le niveau de lumière. (OFF → FAIBLE → ELEVE) Appuyez plusieurs fois sur le bouton pour naviguer dans les niveaux de lumière. (Par défaut : NIVEAU ELEVE)
- (2) Bouton débit du réfrigérant
Il permet de sélectionner six niveaux de débit du liquide de refroidissement allant de 0 à 5. Appuyez sur ce bouton plusieurs fois pour passer d'un niveau de débit à l'autre.
- (3) Bouton Avant / Arrière
Il permet de sélectionner le sens de rotation. Enfoncez-le une fois pour modifier le sens de rotation. (une fois qu'il sera en mode arrière, le boîtier de contrôle émettra un bip d'avertissement audible)
- (4) Bouton Rapport de vitesse
Il permet de déterminer le rapport de vitesse de la pièce à main attachée avant l'utilisation. Appuyez sur ce bouton jusqu'à ce que l'écran LCD indique le bon rapport de vitesse de la pièce à main.
- (5) Bouton mémoire
Il permet de mémoriser les paramètres déterminés par l'opérateur. Appuyez sur ce bouton et maintenez-le enfoncé pendant environ 1 seconde pour mémoriser les paramètres. Lorsque vous entendez un bip, les nouveaux paramètres du programme ont été enregistrés.
- (6) Bouton CAL
Utilisation d'activer le cycle de calibration du handpiece avant emploi.
- (7) Bouton Vitesse (- +)
Il permet de déterminer le rapport de vitesse de la pièce à main attachée avant l'utilisation. Appuyez sur ce bouton jusqu'à ce que l'écran LCD indique le bon rapport de vitesse de la pièce à main.
- (8) Bouton Couple (- +)
Il sert à déterminer la gamme de couple. Appuyez sur le bouton [+] pour augmenter la gamme de couple et sur le bouton [-] pour la diminuer (si les limites supérieure et inférieure de la gamme de couple sont atteintes, un bip d'avertissement sera émis). Le réglage de la gamme de couple doit être sélectionné selon le rapport de vitesse de la pièce à main.
- (9) Bouton programme (- +)
Permet de naviguer parmi les programmes disponibles. Appuyez sur le bouton [+] pour monter et sur le bouton [-] pour descendre de numéro de programme. Vous retrouverez tous les numéros de programme séquentiellement en appuyant sur les boutons.
- (10) USB REC (Surgic Pro+ UNIQUEMENT)
Appuyez sur cette touche pour enregistrer la pro opération de série de Surgic à la mémoire d'USB
Une courte pression permettra d'enregistrer les données mémorisées sur la mémoire USB. Une longue pression (environ 2 secondes) effacera les données enregistrées sur la mémoire du boîtier de contrôle.

3-2 Ecran LCD sur la console du boîtier de contrôle



(A) Affichage de l'horloge (Surgic Pro+ UNIQUEMENT)

Affichage de l'horloge. L'heure est affichée à l'aide des batteries prévues dans le boîtier de contrôle.

(B) Vitesse

Indication choisie de Vitesse. La vitesse de rotation est affichée pendant la rotation. Lorsque la rotation s'arrête, la vitesse de rotation maximale est affichée.

Pédale baissant : La vitesse de rotation du moteur est montrée sur l'affichage à LCD (Assumer le rapport correct de vitesse est choisi) La vitesse de la pédale de contrôle varie en fonction du relâchement de la pédale.

Sans presser de Pédale: La rotation maximum a pré-réglé l'arrangement montré sur l'affichage à cristaux liquides.

(C) IMPLANT SYSTEM

Le chiffre du système d'implant utilisé est affiché. (1 à 8)

(D) Temps de mémoire (Surgic Pro+ UNIQUEMENT)

La durée de mémoire restante est affichée. (Temps restant)

(E) Mémoire USB (Surgic Pro+ UNIQUEMENT)

Lorsque la mémoire USB est insérée, elle est affichée sur le LCD.

(F) Graphique en barres couple

Affiche la gamme de couple d'utilisation réelle. Si toutes les barres s'allument, le couple d'utilisation est à son niveau maximal. Si les barres sont à moitié illuminées, le couple d'utilisation équivaut à environ 50% du couple programmé.

(G) Couple

En employant la commande directe de 1:1 ou le handpiece croissant de vitesse, le couple n'est pas montré. (Cette fonction est appropriée pour un contre-angle réducteur 2:1 ou plus)

(H) Niveau lumineux (Optic UNIQUEMENT)

Montre le niveau lumineux choisi ; les niveaux lumineux sont HAUTS, BAS et OFF.

(I) Niveau debit réfrigérant

Niveau de débit du liquide de refroidissement Affiche le niveau de débit du liquide de refroidissement sélectionné, le niveau de débit sélectionné est indiqué par 1 à 5 niveaux d'indicateurs illuminés. Si rien n'est illuminé, cela signifie qu'il n'y a pas de débit du liquide de refroidissement.

(J) Avant/ Arrière

Montre la direction choisie de la rotation de pièce à main. Lors de la rotation, l'affichage de circonférence tourne.

(K) Rapport de vitesse

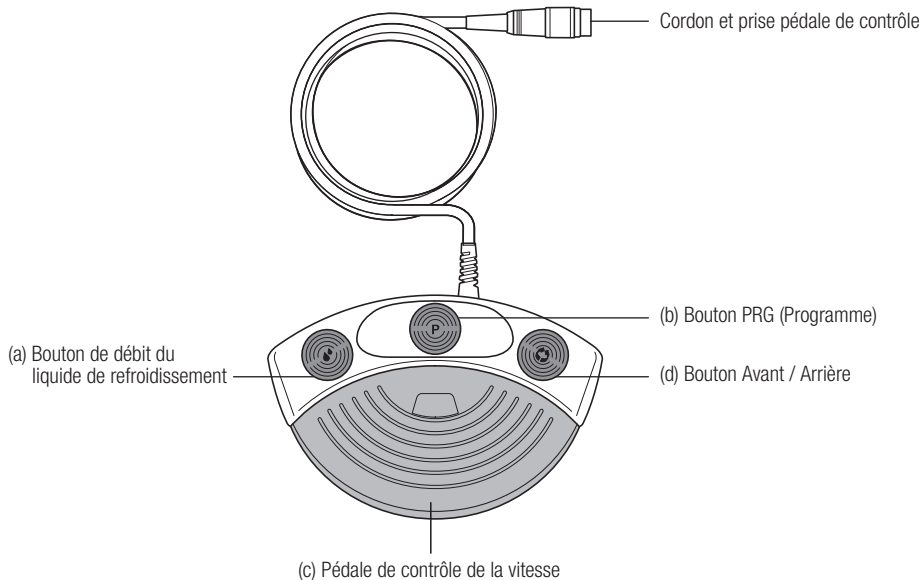
Choisissez rapport de vitesse du de pièce à main.

(L) Numéro de programme

Indication choisie de nombre de programme. (1 à 8)

REMARQUE

- Juste après avoir allumé la source d'alimentation, l'horloge peut afficher "88:88.00:00," ou l'écran LCD du bouton USB REC peut clignoter. Ce ne sont pas des dysfonctionnements.
- Lorsque la source d'alimentation est allumée, l'appareil reviendra à ses paramètres par défaut. Pour enregistrer un réglage, cf. 7-1 Programmation de l'utilisation du micromoteur. (Défaut: Système d'implantation 1, Lumière ELEVEE, Flux réfrigérant 3, Rotation F, rapport de vitesse 20:1, Numéro de programme 1, Couple 20Ncm, Vitesse 800 min⁻¹).
- Lors de l'emballage pour l'envoi, etc., l'horloge clignotera sur "00:00" si l'horloge n'a pas été réglée. Cf. 5-1 Horloge et date.
- Si l'affichage de l'horloge clignote sur "- - : - -," les batteries de l'horloge sont à plat. Contactez le revendeur auquel vous avez acheté l'appareil.

3-3 Pédale de contrôle

(a) Bouton de débit du liquide de refroidissement :

Il sert à sélectionner un des six niveaux de débit du liquide de refroidissement (de 0 à 5). On peut augmenter d'un niveau en appuyant sur ce bouton. Si vous appuyez sur ce bouton alors que le niveau 5 est déjà sélectionné, l'appareil revient au niveau 0.

(b) Bouton PRG (Programme) :

Il sert à sélectionner le numéro de programme désiré. Les numéros de programme augmenteront à chaque fois que vous appuierez sur ce bouton. Pour faire diminuer le numéro de programme, maintenez le bouton enfoncé pendant 1 seconde avant de le relâcher.

(c) Pédale de contrôle de la vitesse :

Utilisée pour démarrer et arrêter le micromoteur et pour contrôler la vitesse pendant l'utilisation. La vitesse opérationnelle du micromoteur est directement proportionnelle à la position de la pédale de contrôle, jusqu'au niveau maximal programmé.

(d) Bouton Avant / Arrière :

Utilisé pour changer le sens de rotation du micromoteur. Enfoncez-le une fois pour modifier le sens de rotation.

4. Installation**ATTENTION**

- Brancher le cordon/allumer seulement si le bouton est sur OFF.

4-1 Connexion du cordon moteur

Alignez la marque [•] sur le cordon du micromoteur avec la marque [•] sur le boîtier de contrôle. Branchez la prise du cordon de la base du micromoteur dans la prise jusqu'à ce que le joint de blocage génère un « clic ».

Pour débrancher la prise, retirez le joint de blocage et tirez pour débrancher le cordon.

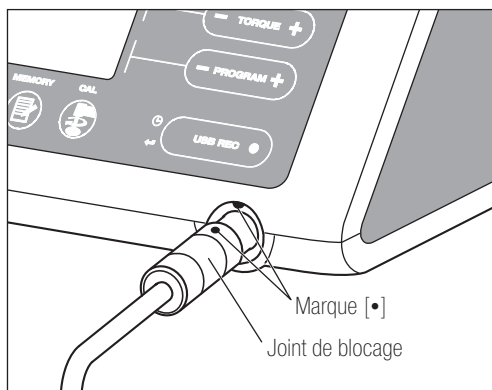


Fig.1

4-2 Connexion de la pièce à main



ATTENTION

- Lorsque vous utilisez le micromoteur Surgic Pro lumière (SGL70M), utiliser uniquement les contre-angles lumière. Les contre-angles non lumière ne peuvent pas se connecter au micromoteur et cela peut engendrer un dysfonctionnement lorsque le micromoteur est en marche.

- 1) Enfoncez la pièce à main sur le moteur et veillez à assurer l'alignement.
- 2) Faites tourner la pièce à main jusqu'à ce qu'elle se verrouille en position en faisant un clic.

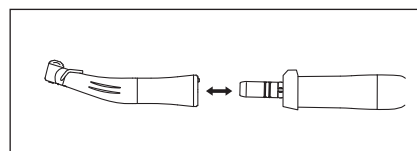


Fig.2

4-3 Connexion de la pédale de contrôle

Placez la vis de la prise du cordon de la pédale de contrôle vers le bas et branchez ensuite la prise dans la prise du connecteur du cordon de la pédale de contrôle sur le boîtier de contrôle. Fixez bien la prise avec l'écrou de blocage. Cf. (Fig.3).

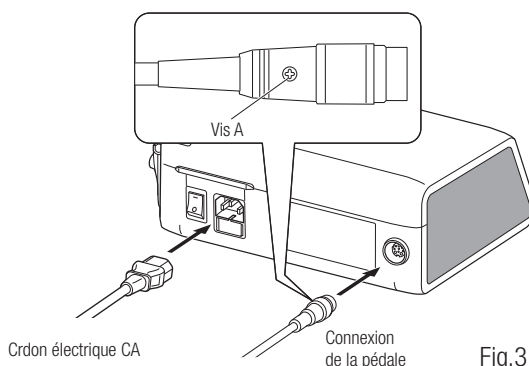


Fig.3

4-4 Connexion du cordon électrique CA

Alignez correctement et insérez le cordon d'alimentation CA dans la connexion du cordon d'alimentation CA à l'arrière du boîtier de contrôle. (Fig.3)

4-5 Installation du tube d'irrigation

Veillez à ce que le levier du couvercle de la pompe soit en position « ouverte » et que « l'aiguille » du tube d'irrigation soit dirigée vers l'arrière du boîtier de contrôle. Placez bien les arrêts de l'assemblage du tube dans le guide du tube. (Fig.4)

<Position ouverte>

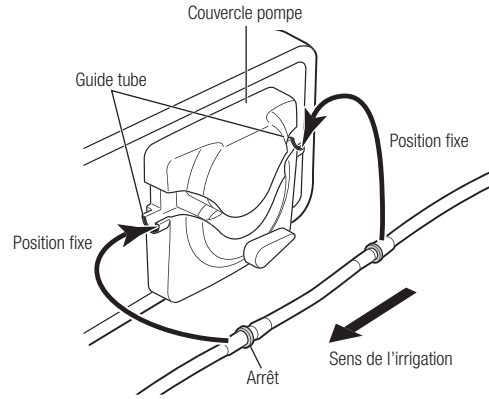
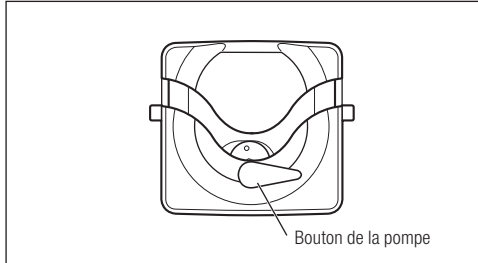


Fig.4



ATTENTION

- Veillez à ce que le tube soit bien fixé sur les rouleaux lorsque vous refermez le couvercle de la pompe. Si le tube n'est pas bien positionné sur les rouleaux et que le couvercle est fermé, il pourrait être sectionné ou arraché. (Fig.5)
- Ne pas laisser monter le tuyau d'irrigation par une personne inexpérimentée.
- Faites-le après avoir éteint la source d'alimentation du tube d'irrigation.

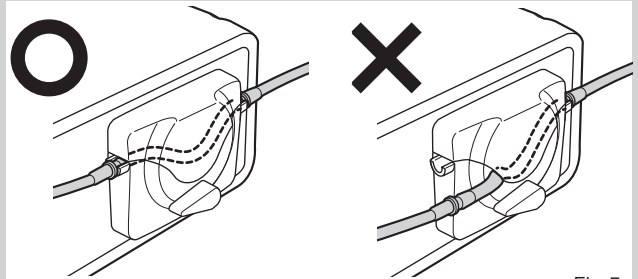


Fig.5

Une fois que les tubes sont bien positionnés, fermez le couvercle de la pompe en faisant pivoter le levier du couvercle de la pompe en position "fermée". (180° dans le sens inverse des aiguilles d'une montre) (Fig.6)

Pour l'enlever, "OUVREZ" le levier du couvercle de la pompe et enlevez ensuite le tube.

<Position fermée>

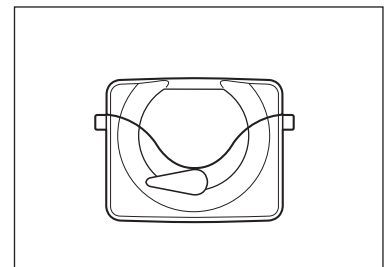


Fig.6

4-6 Montage du poste de fixation du liquide de refroidissement

Montez le poste de fixation du liquide de refroidissement sur le support du boîtier de contrôle. Une seule solution sera possible. (Fig.7)

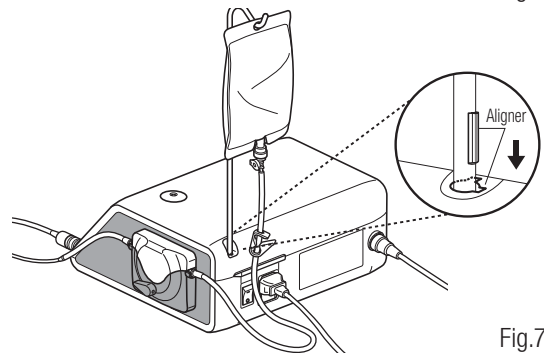


Fig.7

4-7 Insertion du tube d'irrigation

- 1) Fermez la pince du tube entre l'aiguille du tube d'irrigation et la pompe d'irrigation. (Fig 8)
- 2) Insérez l'aiguille du tube d'irrigation dans le bouchon de la bouteille. (Fig.9)
- 3) Ouvrez le bouchon du tube pour que de l'air entre dans la bouteille. (Fig.10)
- 4) Ouvrez la pince du tube.

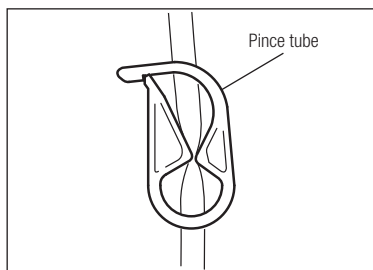


Fig.8

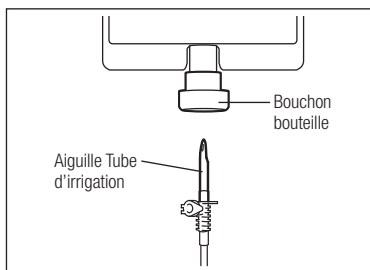


Fig.9

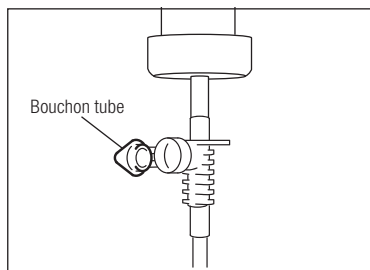


Fig.10



ATTENTION

- N'utilisez pas la pompe d'irrigation si le tube est courbé ou si la pince du tube est en position fermée. Sinon, le tube pourrait éclater ou sortir de la bouteille.

4-8 Vérification de la compatibilité de l'embout d'irrigation interne / Frais

Les embouts d'irrigation internes fournis avec ce produit ne sont pas forcément adaptés à toutes les fraises disponibles sur le marché. Suivez les instructions mentionnées ci-dessous pour obtenir une confirmation avant d'utiliser l'appareil.

Si vous ne réalisez pas cette opération ou que vous ne montez pas l'embout d'irrigation interne dans les fraises, vous pourriez causer une fuite de la solution saline, ce qui pourrait déboucher sur l'apparition de rouille ou un soudain arrêt de l'appareil pendant son utilisation.

* Pour monter le forêt, référez-vous au manuel d'exploitation ci-joint de Handpiece. Instructions:

Instructions :

- 1) Attachez une bouteille de solution saline au boîtier de contrôle.
- 2) Connectez l'embout d'irrigation interne dans l'insert du tube d'irrigation.
- 3) Insérez l'embout d'irrigation interne dans la fraise depuis l'arrière. (Fig.11)
- 4) Purgez au niveau « maximal » pendant 5 secondes.

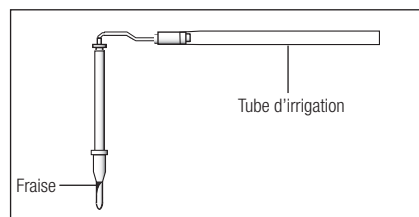


Fig.11

Points à vérifier :

- Propreté de la solution saline provenant de la fraise. Si la solution est colorée, il doit y avoir de la rouille dans la fraise. Si tel est le cas, remplacez la fraise.
- Débit de l'eau : si le débit est bas et / ou que le débit provenant de la fraise est asymétrique, remplacez la fraise.
- Pas de fuite d'eau entre la fraise et l'embout d'irrigation interne Avant utilisation, veillez à ce qu'il n'y ait pas de fuite d'eau depuis le point d'entrée de l'embout d'irrigation. La fuite peut être causée par un joint défectueux ou par l'absence de joint dans la fraise. Remplacez la fraise, même si elle est neuve, car si de la solution saline pénètre dans la pièce à main, elle entraînera des dysfonctionnements. Cleanliness of the saline solution coming out from the drill; if solution is colored there could be rust inside of the drill. If so renew the drill.



ATTENTION

- Si vous constatez un dysfonctionnement tel qu'une fuite de la solution saline depuis l'arrière du contre-angle pendant que vous utilisez l'appareil, arrêtez de l'utiliser et essayez de résoudre le problème.

4-9 Connexion de l'embout d'irrigation

Le X-SG20L / SG20 propose trois méthodes d'irrigation selon l'outil et l'application utilisés : externe, interne ou les deux. Pour connaître les détails liés à l'installation, référez-vous au Manuel d'utilisation de la pièce à main.

4-10 Fixation du support du tube

Utilisez le cordon moteur en tant que réducteur de tension pour le « tube d'irrigation ». Il est plus facile d'insérer d'abord le cordon moteur et ensuite le tube d'irrigation. (Fig.12)

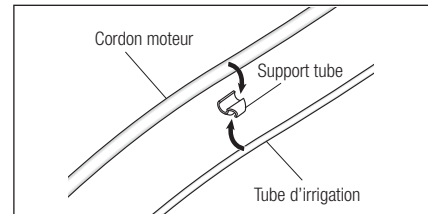


Fig.12

4-11 Mémoire USB

(non fournie) (Surgic Pro⁺ UNIQUEMENT)

- 1) Ouvrez le couvercle d'ouverture d'insertion sur le côté du boîtier de contrôle.
- 2) Insérez complètement la mémoire USB. La marque USB apparaîtra sur l'ECRAN LCD une fois que l'appareil reconnaîtra l'USB. (Fig.13)

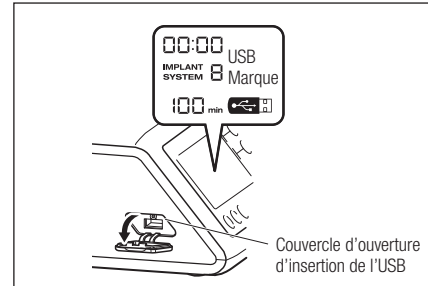


Fig.13



ATTENTION

- N'appliquez pas d'impact puissant sur la clé USB lorsqu'elle est connectée.
- Lorsque la clé USB n'est pas connectée, fermez le couvercle d'ouverture d'insertion.

5. Réglage

5-1 Horloge et date

Avec le réglage de la date et de l'heure, les données sur le traitement seront enregistrées en fonction du jour. (cf. 7-5 Fonction USB pour apprendre comment enregistrer des données sur une mémoire USB.)

REMARQUE

- Réglez l'horloge avant d'utiliser le système.
- Si l'affichage de l'horloge n'apparaît pas ou indique "- : - -", les batteries internes sont peut-être usées. Contactez le revendeur auquel vous avez acheté l'appareil.
- L'horloge fonctionne avec un système d'affichage 24 heures.
- Les années peuvent être réglées de 2010 à 2099.

- 1) Appuyez à la fois sur le bouton USB REC et le bouton SPEED (-) pendant environ 2 secondes.
- 2) L'écran de réglage apparaîtra sur le LCD. Les réglages peuvent être faits pour l'année, le mois, le jour, l'heure et la minute. Entrez les données et appuyez sur le bouton USB REC pour passer au prochain élément. (L'élément que vous avez sélectionné clignotera)
- 3) Changez les chiffres en appuyant sur le bouton SPEED (+,-). Une longue pression augmentera le chiffre par unités de 5.
- 4) Une fois que tous les éléments sont réglés, appuyez sur le bouton USB REC pendant 2 secondes pour enregistrer les réglages.



ATTENTION

- Si l'alimentation est interrompue pendant le réglage des paramètres, les changements ne seront pas enregistrés. Recommencez alors depuis le début.
- Si des données sont déjà enregistrées dans la mémoire interne, il ne sera pas possible de régler la date.

5-2 Réglage de l'éclairage (X-SG20L uniquement)

Appuyez plusieurs fois sur le bouton LIGHT pour naviguer dans les niveaux de lumière. Appuyez sur le bouton LIGHT pour modifier l'éclairage. (ETEINT → FAIBLE → ELEVE) (par défaut : ELEVE)
Pour enregistrer les modifications, appuyez sur le bouton MEMORY pendant au moins 2 secondes.

- REMARQUE**
- Répétez les procédures susmentionnées pour recommencer l'opération.
 - Le statut de la lampe restera fixé que le courant soit branché ou non.
 - Cette fonction est uniquement applicable pour une pièce à main et un moteur lumière.

5-3 Bruit

Il est possible de modifier le volume pour les sons d'utilisation et d'avertissement des boutons.

- 1) Allumez l'alimentation en appuyant sur le bouton CAL.
- 2) En allumant, le volume alternera entre "Haut" et "Faible". (par défaut : "faible")
* Le volume du son n'est pas affiché sur le LCD. Le son réel change.

- REMARQUE**
- Les réglages seront enregistrés même si l'alimentation est coupée.

5-4 Réglages d'usine

Lors de l'initialisation, l'appareil reviendra aux réglages d'usine. Les programmes et les réglages favoris, etc. seront effacés. Veuillez donc à les enregistrer quelque part.

- 1) Allumez l'alimentation en appuyant sur le bouton PROGRAM (+ -)
- 2) "Set" apparaîtra sur le LCD. (il y aura aussi un court bip). En appuyant sur le bouton CAL, l'appareil reviendra aux paramètres d'usine.
- 3) "Fin" apparaîtra sur le LCD. (il y aura un long bip) L'initialisation est terminée lorsque l'écran revient à son affichage habituel.



ATTENTION

- Même lorsque l'appareil revient aux paramètres d'usine, la date et l'heure ne seront pas initialisées.

6. Utilisation

6-1 Programmation de l'utilisation du micromoteur

Le boîtier de contrôle peut mémoriser 8 programmes.

Chaque programme comprend les fonctions suivantes, qui seront automatiquement lancées si le numéro de programme correspondant est sélectionné.

Rapport de vitesse des pièces à main contre-angle
Vitesse
Sens de rotation
Limite supérieure de couple
Débit du liquide de refroidissement
Niveau limineux

Symbole alimentation	○	
Fonction	ARRET	MARCHE

- 1) Branchez l'alimentation en plaçant le commutateur principal vers [I]. Sur le système IMPLANT, le programme numéro 1 est affiché par défaut.
- 2) Sélectionnez un numéro de programme en suivant l'étape (a) ou (b) :
 - (a) Appuyez sur le bouton PROGRAM (+ -) sur le panneau de contrôle jusqu'à ce que le numéro du programme désiré apparaisse.
 - (b) Appuyez sur le bouton PRG (Programme) sur la pédale de contrôle jusqu'à ce que le numéro du programme désiré apparaisse.
- 3) Sélectionnez le sens de rotation de la pièce à main. Sélectionnez-le en suivant l'étape (a) ou (b) :
 - (a) Appuyez sur le bouton FWD / REV sur le panneau de contrôle jusqu'à ce que le sens désiré apparaisse.
 - (b) Appuyez sur le bouton Forward / Reverse sur la pédale de contrôle jusqu'à ce que le sens désiré apparaisse.

REMARQUE

- Vous entendrez un bip sonore quand le « R » s'affichera.
- Les bips que vous entendez pendant les rotations et lorsque l'appareil est arrêté sont différents. Différents sons ne désignent pas des dysfonctionnements.

- 4) Sélectionnez le rapport de vitesse des pièces à main contre-angle correspondant au programme. Appuyez sur le bouton GEAR pour sélectionner le rapport de vitesse de la pièce à main (le rapport de vitesse apparaîtra sur l'écran LCD).
- 5) Déterminez la vitesse d'utilisation maximale requise en appuyant sur le bouton SPEED (+ -). Chaque fois que vous appuyez sur ce bouton, l'affichage passe au niveau de vitesse suivant. Si vous maintenez ce bouton enfoncé pendant plus d'une seconde, la vitesse passe rapidement au prochain niveau jusqu'à ce que vous arriviez à la limite supérieure ou inférieure.
 - Si la vitesse atteint le niveau supérieur ou inférieur, un bip audible sera émis et le réglage de la vitesse ne pourra plus être modifié.
- 6) Déterminez la limite supérieure de couple en appuyant sur le bouton TORQUE sur le panneau de contrôle. Chaque fois que vous appuyez sur ce bouton, l'affichage passe au niveau de couple suivant. Si vous maintenez ce bouton enfoncé pendant plus d'une seconde, le couple passe rapidement au prochain niveau jusqu'à ce que vous arriviez à la limite supérieure ou inférieure.
 - Si le couple atteint le niveau supérieur ou inférieur, un bip audible sera émis et le réglage du couple ne pourra plus être modifié.
- 7) Le volume du débit du liquide de refroidissement a six niveaux de flux (0-5) (0 = pas de flux du liquide de refroidissement). Sélectionnez un volume de débit du liquide de refroidissement en suivant l'étape (a) ou (b):
 - (a) Appuyez sur le bouton COOLANT sur le panneau de contrôle jusqu'à ce que le débit désiré apparaisse.
 - (b) Appuyez sur le bouton volume du débit du liquide de refroidissement (Coolant solution flow volume) sur la pédale de contrôle jusqu'à ce que le débit désiré apparaisse.
- 8) Après avoir effectué les étapes 2)-7), appuyez sur le bouton MEMORY et maintenez-le enfoncé jusqu'à ce que vous entendiez un bip. Le bip confirme que la programmation est terminée. Si vous entendez un bip court lorsque vous appuyez pour la première fois sur le bouton MEMORY, ignorez ce son et maintenez ce bouton enfoncé jusqu'à ce que vous entendiez un long bip.

* Répétez les étapes 2)-8) pour programmer un des 8 programmes disponibles.

6-1-1 Fonction de saut de programme

Si vous changez de programme avec la pédale de contrôle, les numéros de programme qui ne sont pas choisis peuvent être choisis plus tard.

- 1) Choisissez les numéros de programme que vous voulez sauter avec le boîtier de contrôle.
- 2) Utilisez le bouton SPEED (-) pour afficher la vitesse de rotation minimale.
- 3) Relâchez le bouton SPEED (-) et enfoncez-le ensuite à nouveau. "---" s'affiche sur le LCD.
- 4) Appuyez sur le bouton MEMORY jusqu'à ce que vous entendiez un bip (environ 2 secondes) pour mémoriser.

REMARQUE

- Il est possible de choisir des programmes qui ont été sautés avec le boîtier de contrôle.

6-2 SYSTEME D'IMPLANT

La gamme Surgic Pro peut mémoriser 8 programmes d'implantologie. En outre, vous pouvez programmer 8 étapes dans chacun des 8 programmes. Lorsque vous configurez le programme, se référer aux valeurs recommandées par les fabricants d'implants.

Lors de la mémorisation de chaque programme d'implantologie, son numéro peut être modifié en appuyant sur les touches (+) et (-) simultanément.

6-3 Fonction de calibrage

La résistance de rotation de la pièce à main dépend du modèle de pièce à main, de son état et du niveau d'usure interne des transmissions de la pièce à main. Ce boîtier de contrôle intègre une fonction automatique permettant de reconnaître le niveau de résistance de la pièce à main attachée et du micromoteur.

REMARQUE

- Cet équipement est optimisé pour obtenir la meilleure précision d'étalonnage pour une réduction 20:1. Pour l'étalonnage, utiliser uniquement le contre-angle réduction 20:1 listé "12. Contre-angles et Accessoires optionnels".
- La pièce à main de la microscie ne doit pas être calibrée.
- Le calibrage ne doit être effectué que sur la pièce à main NSK.

6-3-1 Préparation de calibrage

- 1) Fixez le rapport de vitesse (Rapport de réduction) 20:1 de la pièce à main au moteur.
- 2) Attachez la fraise de calibrage à la pièce à main.
- 3) Appuyez sur le bouton CAL pendant environ 2 secondes. Vous entendrez un bip et l'écran passera au mode de calibrage.

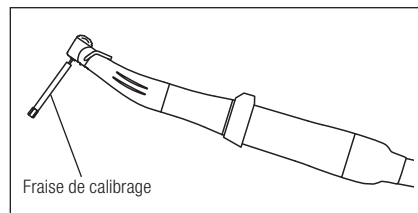


Fig.14

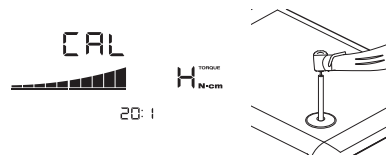
6-3-2 Réalisation du calibrage



ATTENTION

- N'appliquez pas de charge pendant un calibrage sans charge. Si une charge est appliquée, le message "FAIL" s'affichera sur le LCD et le calibrage s'arrêtera.

- 1) Calibrage sans charge... affichage du couple "L"
Tenez le moteur dans votre main et veillez à ce que "L" s'affiche sur l'écran du couple. Appuyez sur le bouton CAL sans appliquer de charge. La fraise de calibrage commencera à tourner. Le calibrage est terminé lorsque vous entendez un bip et que "donE" s'affiche à l'écran.
- 2) Calibrage avec charge... affichage du couple "H"
Veillez à ce que "H" s'affiche sur l'écran de couple, branchez la fraise de calibrage dans le transmetteur. Appuyez sur le bouton CAL (le calibrage est réalisé pendant l'application de la charge de couple, donc tenez bien la pièce à main.) La fraise de calibrage commencera à tourner. Le calibrage est terminé lorsque vous entendez un bip et que "donE" s'affiche à l'écran.
- 3) Calibrage de la vitesse
Appuyez sur le bouton CAL après avoir enlevé la fraise du transmetteur de couple et avoir détaché la fraise de calibrage. La fraise commencera à tourner lentement. Après avoir tourné lentement pendant 8 secondes, la fraise tournera à grande vitesse pendant 8 secondes. Vous entendrez un bip lorsque le calibrage est terminé. Le mode de calibrage s'arrêtera automatiquement.



ATTENTION

- Lors du processus, la vitesse de rotation augmente automatiquement pour finalement arriver à une rotation grande vitesse. La prudence est de rigueur pour éviter tout risque.

Exemple d'échec de calibrage

- Une abrasion extrême de la vitesse et une perte mécanique peuvent dépasser les limites de contrôle. Il est impossible d'obtenir des données correctes pendant le cycle de calibrage et le calibrage échouera. Dans ce cas, veuillez demander une réparation.
- En cas d'anomalies comme une abrasion extrême du rapport de vitesse et une perte mécanique dépassant la limite de contrôle, aucune donnée correcte ne pourra être obtenue et le calibrage échouera. Dans ce cas, demandez une réparation.
- Echec de calibrage. Si la fraise de calibrage entre en contact avec un autre élément pendant le calibrage sans charge ou qu'aucune charge n'est erronément appliquée lors du calibrage de la charge.

6-4 Utilisation standard

- 1) Sélectionnez le numéro du programme souhaité.
Boîtier de contrôle: Appuyez sur le bouton PROGRAM (+ -).
Pédale de contrôle: Appuyez sur le bouton PRG (Programme) de la pédale de contrôle pendant 1 seconde de plus pour accéder au numéro de programme suivant.
- 2) Appuyez sur la pédale de contrôle de la vitesse au milieu de la pédale de contrôle pour que le micromoteur commence à fonctionner. La pompe du liquide de refroidissement fonctionnera aussi (si elle est programmée). La vitesse augmente en fonction du relâchement de la pédale. Lorsque la pédale de contrôle est entièrement relâchée, la vitesse atteint la valeur préfigurée maximale.
- 3) Inverser le sens de rotation du micromoteur : Pour inverser le sens du micromoteur (et de la fraise), appuyez simplement sur le bouton Forward / Reverse de la pédale de contrôle. Un bip d'avertissement sera émis lorsque le sens de rotation sera inversé.



ATTENTION

- L'utilisation du micromoteur avec la lumière "ON" pendant plus de 3 minutes en continu, engendre une surchauffe du moteur (la température peut atteindre 45 °C) Dans ce cas, arrêter le micromoteur jusqu'à ce que la LED refroidisse ou utiliser le micromoteur sans lumière.
- Activation du limiteur de couple: Pendant l'utilisation, lorsque la charge de forage atteint la limite supérieure de couple programmé, le limiteur de couple intégré s'active automatiquement pour éviter d'atteindre un couple trop élevé. Lorsque le limiteur de couple s'active, le moteur s'arrête après avoir émis des « bips » pendant 1 seconde. Pour à nouveau activer le micromoteur, relâchez la pédale de contrôle de la vitesse et enfoncez-la à nouveau.

- 4) Relâchez la pédale de contrôle et le micromoteur s'arrêtera automatiquement.

6-5 Fonction USB (Surgic Pro⁺ uniquement)

REMARQUE

- Lorsque l'horloge n'est pas réglée, l'heure et la date ne seront pas enregistrées dans les données. Il est recommandé de changer d'insert toutes les 5 utilisations.

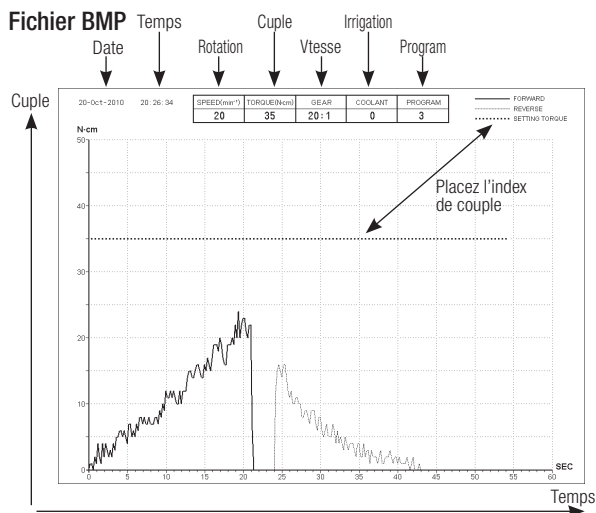
L'horloge interne est utilisée avec différentes opérations de cet appareil (date utilisée, heure de lancement, durée, rapport de vitesse, débit d'irrigation, vitesse de rotation, FWD / REV, couple, numéro de programme), ce qui permet d'enregistrer des données dans l'ordre chronologique sur l'USB (fichiers CSV, fichiers BMP).

Les données enregistrées peuvent être visionnées sur un ordinateur personnel.

* Fichiers et graphiques enregistrés



REMARQUE • Un fichier BMP peut uniquement être créé avec un rapport de vitesse de 20:1 et si le nombre de rotations est de 50 min⁻¹ ou moins.



ATTENTION

- La durée d'enregistrement totale peut atteindre jusqu'à 100 minutes.
- N'insérez pas de mémoire USB pendant l'utilisation. N'effectuez l'insertion qu'une fois que les opérations sont terminées pour enregistrer les données.
- N'utilisez pas de données stockées dans la mémoire USB à des fins de diagnostic.
- N'utilisez pas de mémoire USB autre que l'USB 2.0. (NSK vérifie la taille du lecteur flash USB jusqu'à 32GB)
- N'enlevez pas l'USB pendant que la lampe LED est allumée ou clignote. (Pendant le clignotement, le lecteur flash USB est en communication avec le système)
- Cet appareil n'est pas garanti pour fonctionner avec toutes les mémoires USB. Il se peut qu'il ne fonctionne pas avec une clé USB avec des fonctions de sécurité ou demandant beaucoup d'électricité.
- N'allumez et n'éteignez pas l'appareil avec une clé USB insérée.
- Veillez à insérer l'USB dans la bonne position.
- Si aucune clé USB n'est connectée, fermez le couvercle du connecteur.
- Le LED affiche des messages et les significations sont indiquées ci-dessous :
Lampe allumée = la mémoire interne copie des données, clignote = la mémoire USB enregistre les données.
- Si l'alimentation est éteinte, la mémoire interne sera effacée. Eteignez l'alimentation après avoir enregistré les données sur la mémoire USB.

6-5-1 Mémoire interne

Une fois que l'alimentation est allumée et que le moteur commence à tourner, la mémorisation commencera automatiquement. (Une mémoire USB doit être connectée.)

6-5-2 Transmission des données stockées

- 1) Insérer la clé USB. (lorsqu'elle est correctement reconnue, l'icône de clé USB apparaîtra sur l'écran LCD)
- 2) Appuyez sur la touche REC USB pour copier les données à stocker sur la clé USB. (Le témoin USB REC est allumé)

REMARQUE • Pour distinguer la courbe représentant la direction de rotation et de celle du couple, différents types de traits ont été utilisés.

• Pendant l'opération (mémorisation), le témoin USB REC s'allume. Environ 10 secondes après l'arrêt de l'opération, la lumière sur l'écran LED s'éteint et la mémorisation s'arrête temporairement. (Le chronomètre s'arrête aussi temporairement)

6-5-3 Réinitialisation

Appuyez sur le bouton REC USB pendant au moins 2 secondes. Le temps d'enregistrement restant sera réinitialisé une fois que le bip s'arrêtera. (Temps initialisé : 100 min.)

7. Circuit de protection

Un disjoncteur électronique fonctionne automatiquement pour protéger le micromoteur et le boîtier de contrôle si le micromoteur surchauffe. L'alimentation du micromoteur sera automatiquement interrompue et un code d'erreur s'affichera sur le boîtier de contrôle.

Si le couple dépasse les chiffres préfigurés, le message "SAFE" s'affichera sur le LCD et l'appareil s'arrêtera.

* Redémarrage du circuit de protection :

Pour redémarrer le circuit de protection, libérez et ensuite abaissez la pédale de contrôle de la vitesse.

8. Codes d'erreur & Dépannage

Si un problème opérationnel survient, l'écran affichera un code d'erreur permettant de cibler directement le problème. En cas d'erreurs, un bip sera émis et un code d'erreur s'affichera sur le LCD. Le code d'erreur clignotera jusqu'à ce que l'erreur soit résolue. Le LCD REC USB continuera pendant environ 10 secondes.

Relâchez puis enfoncez la pédale de contrôle pour effectuer de nouveau le contrôle d'erreurs. Si aucun problème n'est détecté, l'erreur est annulée et les opérations peuvent continuer.

Code d'erreur	Mode erreur	Cause d'erreur	Remède
E0	Erreur système.	Echec mémoire. (Surgic Pro+) - Mémoire erronée. (pas USB) - USB autre que le type stipulé (souris, imprimante, etc.) connectée.	Demande de réparation. Vérifiez si l'équipement est connecté.
E1	Courant excessif détecté.	Utilisation prolongée sous une charge élevée. Court-circuit dans le micromoteur.	Le contact électrique est peut-être insuffisant. Reconnectez bien le cordon moteur. Si vous ne pouvez pas solutionner le problème, demandez une réparation.
E2	Tension excessive détectée.	Dysfonctionnement cordon micromoteur.	
E3	Problème capteur moteur.	Dysfonctionnement capteur micromoteur (Hall IC). Dysfonctionnement cordon micromoteur.	Demande de réparation. Veillez à placer un bouchon d'autoclave lors de l'autoclave.
		Introduction d'eau dans le moteur.	

E4	Boîtier de contrôle intérieur : Problème de surchauffe.	Surchauffe suite à une utilisation prolongée sous une charge élevée. Utilisation du boîtier de contrôle à une température extrêmement élevée.	Laissez-le refroidir avant de l'utiliser. Puisque de la chaleur est émise, les alentours du boîtier de contrôle principale doivent être bien aérés. Si vous ne pouvez pas solutionner le problème, demandez une réparation.
E5	Problème de freinage.	Voltage anormal généré dans le circuit de l'interrupteur marche / arrêt. Dysfonctionnement dans le circuit de l'interrupteur marche / arrêt.	Si les fonctions de rotation et d'arrêt sont activées à répétition dans de courtes fréquences, il se peut qu'un circuit qui limite l'accélération au lancement soit activé. Attendez quelques secondes avant d'utiliser l'appareil. Si vous ne pouvez pas solutionner le problème, demandez une réparation.
E6	Problème de rotation du moteur.	Dysfonctionnement de l'accessoire de la pièce à main. Dysfonctionnement micromoteur.	Il se peut que la griffe soit ouverte ou pas suffisamment fermée. Fermez bien la griffe. Si vous ne pouvez pas solutionner le problème, demandez une réparation.
E7	Tension excessive pompe.	Le tube d'irrigation n'est pas bien placé et charge le rouleau de la pompe. La pompe est en panne.	Vérifiez le tube d'irrigation. Si un code d'erreur s'affiche alors que le tube d'irrigation ne présente aucun dysfonctionnement, demandez une réparation.
E8	Courant excessif pompe.		
E9	Dysfonctionnement pédale de contrôle.	Echec de connexion du connecteur. Panne située à l'intérieur de la pédale de contrôle.	Vérifiez la connexion du connecteur. Si un code d'erreur s'affiche alors que le connecteur est bien connecté, demandez une réparation.
E10	Témoin de tension excessive. (Moteur Optique)	Panne circuit lampe.	Demande de réparation.
E11	Témoin de courant excessif. (Moteur Optique)	Vérifiez si de la solution saline ne s'est pas introduite dans la lampe du moteur.	Eliminez complètement la solution saline.
		Panne circuit lampe.	Demande de réparation.

Erreurs liées à la fonction USB (Affichées dans l'indicateur "Temps de mémoire")

Code d'erreur	Cause d'erreur	Remède
UE0	Une clé USB autre que le type stipulé est connectée. ("EO" s'affichera sur l'écran VITESSE)	Veillez assurer la connexion avec le bon type de mémoire USB.
UE1	Erreur de circuit du module de mémoire USB.	Adressez-vous au revendeur auquel vous avez acheté l'appareil.
UE2	<p>Les données ne peuvent pas être enregistrées sur la mémoire USB pour l'une des raisons suivantes:</p> <ul style="list-style-type: none"> • Manque de mémoire disponible sur la clé USB. • Utilisation d'une clé USB n'autorisant pas l'enregistrement. • Nom de fichier déjà utilisé. • Autre erreur liée à la mémoire USB. 	<ul style="list-style-type: none"> • Remplacez la mémoire USB. • Enlevez le verrou empêchant la copie. • Modifiez le nom de fichier. • Lisez les instructions pour l'utilisation de la mémoire USB.

Erreur	Cause d'erreur	Remède
L'écran est blanc.	Le branchement à la source d'alimentation n'est pas bien effectué.	Veillez à ce que le branchement soit bien réalisé.
	Le fusible a sauté.	Remplacez le fusible.
	Dysfonctionnement du commutateur.	Demandez une réparation.
L'affichage du numéro de rotation est "--", les numéros sont affichés et les numéros alternent.	L'alimentation est branchée pendant que la commande au pied est pressée.	Remove foot from Foot Control.
	Dysfonctionnement de la commande au pied.	Si le problème est résolu en enlevant la commande au pied, il y a un dysfonctionnement de cette dernière. Une réparation est nécessaire.
	Dysfonctionnement de l'unité.	Si le problème n'est pas résolu en enlevant la commande au pied, il y a un dysfonctionnement de l'unité. Une réparation est nécessaire.
Pas de rotation, même lorsque la commande au pied est pressée.	Mauvaise connexion du câble.	Vérifiez la connexion.
	Dysfonctionnement de l'unité ou de la commande au pied.	Si le problème n'est pas résolu en vérifiant la connexion, une réparation du système est nécessaire.

9. Remplacement fusible

Si le boîtier de contrôle ne fonctionne pas, vérifiez les fusibles (le boîtier des fusibles se trouve à l'arrière du boîtier de contrôle). Pour accéder aux fusibles, utilisez un outil pointu pour appuyer sur le mécanisme de blocage du fusible et le mécanisme s'ouvrira. (Fig.15)

Fusible	
120V	T3,15AL 250V
230V	T1,6AL 250V

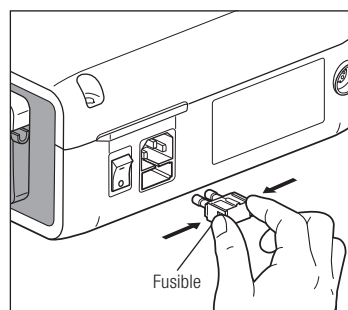


Fig.15

10. Entretien

10-1 Entretien du boîtier de contrôle et de la pédale de contrôle

Si du sang ou une solution saline a taché le boîtier de contrôle ou la pédale de contrôle, enlevez le cordon d'alimentation CA, essuyez le boîtier de contrôle ou la pédale de contrôle avec un tissu humide et ensuite avec un chiffon imbibé d'alcool.

10-2 Entretien de la pièce à main et du moteur

Éliminez les saletés et les débris présents sur le produit. N'utilisez PAS de brosse métallique.

Essuyez avec un tissu ou un coton-tige imbibé d'alcool.

-  Cette pièce à main peut être nettoyée et désinfectée avec un thermodésinfecteur.

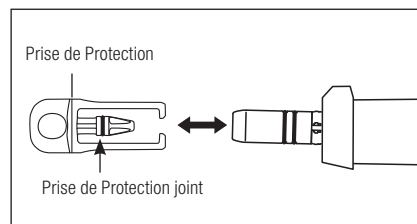


Fig.16

Attachez la prise de protection au micromoteur

Pour de plus amples détails, référez-vous au manuel d'utilisation du thermodésinfecteur.



ATTENTION

- Utilisez toujours la prise de protection pendant l'utilisation du thermodesinfecteur.
- N'utilisez pas la prise de protection sans le joint de montage. Ceci pourrait engendrer un dysfonctionnement. Si le joint est endommagé, veuillez le remplacer immédiatement.
- Pour plus d'informations sur la pièce à main, consultez le manuel d'utilisation de la pièce à main.

REMARQUE

- Le Joint de stérilisation à l'autoclave est approvisionnement consommable. S'il endommageait, remplacez-le neuf.
Optionnelle Prise de Protection : 10001595
Prise de Protection Joint : 0312457102

11. Stérilisation

 Cette pièce à main peut être nettoyée avec un thermodésinfecteur.

- La stérilisation par autoclave est recommandée.
- Il convient de procéder à une stérilisation par autoclave pour la première utilisation et après chaque patient, comme indiqué ci-dessous.



ATTENTION

Les éléments suivants peuvent être autoclavés.

- | | | |
|----------------------------------|-------------------------------|-----------------------|
| • Pièce à main pour implant | • Embout d'irrigation interne | • Prise de Protection |
| • Micromoteur avec cordon moteur | • Support Tube | • Fraise de calibrage |
| • Support pièce à main | • Support embout | |

*Autoclaving

- 1) Éliminez le sang et les débris présents sur la pièce à main.
- 2) Nettoyez l'intérieur de la pièce à main en utilisant le lubrifiant en spray.
- 3) Placez ces éléments dans un sac pour autoclave (pas inclus dans le pack) et scellez-le.
- 4) Stérilisable en autoclave jusqu'à 135°C max.
par ex. : stérilisez par autoclave pendant 20 minutes à 121°C, ou 3 minutes à 134°C.
- 5) Conservez la pièce à main dans son sac de stérilisation jusqu'à son utilisation.

* La norme EN13060/EN ISO17665-1 recommande l'autoclave pendant 3 minutes (durée de maintien minimale) à 134°C.

NSK recommande la stérilisation de la classe B.



ATTENTION

- Nettoyez et lubrifiez la pièce à main avant l'autoclave. Si vous autoclavez une pièce à main couverte de taches de sang ou de débris, vous pourriez l'endommager.
- Ne lubrifiez pas le micromoteur.
- Ne déconnectez pas le cordon moteur du micromoteur.
- Le tube d'irrigation est jetable et à usage unique et ne peut donc pas être autoclavé.
- Nous ne recommandons pas vous stériliser sur une stérilisation plasma ou une stérilisation EOG.

12. Contre-angles et Accessoires optionnels

Voici la liste des contre-angles qui doivent être utilisés avec le micromoteur Surgic Pro pour garantir le meilleur couple.

N° d'article	Description	Remarques
C1003	X-SG20L	Contre-angle lumière.
C1010	SG20	Contre-angle non lumière.
C1068	X-DSG20L	Contre-angle lumière avec tête démontable.
C1067	X-DSG20	Contre-angle non lumière avec tête démontable.
C1076	X-DSG20Lh	Contre-angle lumière avec démontable avec système de griffe hexagonal.
C1075	X-DSG20h	Contre-angle non lumière avec démontable avec système de griffe hexagona.

N° d'article	Description	Remarques
C823752	Connecteur Y	Utilisé pour brancher l'irrigation du liquide de refroidissement interne et externe.
Y900113	Tube d'irrigation (Paquet de 5)	Pour le tube de remplacement.
20000396 (for X-SG20L)	Support embout (X-SG20L)	Fourni en tant qu'accessoire standard.
20000357 (for SG20)	Support embout (SG20)	
10000324	Embout d'irrigation interne	Fourni en tant qu'accessoire standard.
Y900083	Support Tube	Fourni en tant qu'accessoire standard pour l'embout d'irrigation.
Z182100	PANA SPRAY Plus	Pour les pièces à main grande et faible vitesse

13. Spécifications

(Boîtier de contrôle)

Modèle	Surgic Pro+ (avec la fonction d'USB) Surgic Pro (Sans fonction d'USB)
Type	NE250 (avec la fonction d'USB) NE294 (Sans fonction d'USB)
Tension d'alimentation	AC120 / 230V
Fréquence	50 / 60Hz
Consommation	40VA
Débit de pompage maximum	75ml / min
Dimensions	W265xD220xH100mm

(Micromoteur)

Modèle	SGL70M	SG70M
Type	E1023	E1025
Gamme de vitesses	200-40,000 min ⁻¹	
Tension d'entrée	DC24V	
Dimensions	Ø23.5xL103.3mm (sans cordon)	
Longueur de cordon	2m	
OPTIC	Blanc LED	

(Pédale de contrôle)

Modèle	FC-78
Longueur de cordon	2m

14. Elimination du produit

Consultez votre revendeur pour en savoir plus sur l'élimination de l'appareil.

15. Symboles



UV Rhineland of North America est un Nationally Recognized Testing Laboratory (NRTL) aux Etats-Unis (un Laboratoire de test reconnu au niveau national) et est accrédité par le Conseil des Normes du Canada pour certifier les produits électro-médicaux conformément aux normes nationales canadiennes.



Ce produit est conçu pour ne pas devenir la source d'ignition dans l'air et les gaz anesthésiques inflammables.



La norme UE 93/42/CEE a été respectée lors de la conception et la production de cet appareil médical.



Protégé contre les effets de l'immersion continue dans l'eau et la poussière.



Débarrassez-vous de cet appareil et de ses accessoires via des méthodes approuvées pour les dispositifs électroniques et conformément à la Directive 2012/19/EU.



Type BF pièce appliquée



Cf. Manuel d'utilisation




Marquage sur l'extérieur des pièces de l'équipement qui comprend les émetteurs RF ou qui s'applique à l'énergie électromagnétique RF pour le diagnostic ou traitement.

16. Compatibilité électromagnétique L'information (EMC L'information)

Conseils et déclaration du fabricant-émissions électromagnétiques			
L'appareil Surgic pro series est conçu pour être utilisé dans l'environnement électromagnétique précisé ci-dessous. Le client ou l'utilisateur du Surgic Pro series doit veiller à utiliser cet appareil dans un tel environnement. Conseils et déclaration du fabricant - émissions électromagnétiques.			
Emissions test	Compliance	Electromagnetic environment-guidance	
Emissions Rf CISPR11/EN55011	Groupe 1	Surgic Pro series n'utilise de l'énergie RF que pour ses fonctions internes. Par conséquent, ses émissions RF sont très faibles et ne devraient pas causer d'interférences avec l'équipement électronique placé à proximité.	
Emissions Rf CISPR11/EN55011	Classe B	Surgic Pro series peut être utilisé dans tous les établissements, dont les établissements domestiques et ceux qui sont directement reliés au réseau public de fourniture d'énergie basse tension utilisé à des fins domestiques.	
Emissions harmoniques IEC/EN61000-3-2	Classe A		
Les fluctuations de voltage/les émissions fluctuantes IEC/EN61000-3-3	Conforme		

Conseils et déclaration du fabricant-Immunité électromagnétique			
L'appareil Surgic Pro series est conçu pour être utilisé dans l'environnement électromagnétique précisé ci-dessous. Le client ou l'utilisateur du Surgic Pro series doit veiller à utiliser cet appareil dans un tel environnement.			
Test d'immunité	IEC/EN60601 niveau de test	Niveau de conformité	Environnement électromagnétique-conseils
Décharge électrostatique (ESD) IEC/EN61000-4-2	± (2, 4) 6 kV contact ± (2, 4) 8 kV air	± (2, 4) 6 kV contact ± (2, 4) 8 kV air	Les sols doivent être en bois, en béton ou recouverts de dalles en céramique. Si les sols sont recouverts de matériaux synthétiques, le niveau d'humidité relative doit être d'au moins 30%.
Explosion/courant transitoire rapide IEC/EN61000-4-4	± 2kV pour les lignes d'alimentation en énergie ± 1kV pour les lignes d'alimentation/de sortie	± 2kV pour les lignes d'alimentation en énergie ± 1kV pour les lignes d'alimentation/de sortie	La qualité de l'alimentation principale doit être équivalente à celle d'un environnement commercial ou hospitalier typique.
Surintensité IEC/EN61000-4-5	± 1kV mode différentiel ± 2kV mode commun	± 1kV mode différentiel ± 2kV mode commun	La qualité de l'alimentation principale doit être équivalente à celle d'un environnement commercial ou hospitalier typique.
Chutes de tension, courtes interruptions et variations de voltage sur les lignes d'alimentation. IEC/EN61000-4-11	<5% Ut (>95% chute d'Ut) pendant 0,5 cycle 40% Ut (60% chute dans Ut) pendant 5 cycles 70% Ut (30% chute dans Ut) pendant 25 cycles <5% Ut (>95% chute d'Ut) pendant 5 sec	<5% Ut (>95% chute d'Ut) pendant 0,5 cycle 40% Ut (60% chute dans Ut) pendant 5 cycles 70% Ut (30% chute dans Ut) pendant 25 cycles <5% Ut (>95% chute d'Ut) pendant 5 sec	La qualité de l'alimentation principale doit être équivalente à celle d'un environnement commercial ou hospitalier typique. Si l'utilisateur du Surgic Pro series a besoin d'une utilisation continue pendant les coupures de l'alimentation principale, il est recommandé d'alimenter le Surgic Pro series à l'aide d'une batterie ou d'une alimentation qui ne sera pas interrompue.
Fréquence de la puissance (50 / 60Hz) champ magnétique IEC/EN61000-4-8	3A/m	3A/m	Les champs magnétiques de la fréquence de puissance doivent se situer à des niveaux caractéristiques d'un site typique se trouvant dans un environnement commercial ou hospitalier typique.

REMARQUE : « Ut » est la tension principale de CA avant l'application du niveau de test.

Conseils et déclaration du fabricant-immunité électromagnétique.			
L'appareil Surgic Pro series est conçu pour être utilisé dans l'environnement électromagnétique précisé ci-dessous. Le client ou l'utilisateur du Surgic Pro series doit veiller à utiliser cet appareil dans un tel environnement.			
Test d'immunité	IEC/EN60601 niveau de test	Niveau de conformité I	Environnement électromagnétique-conseils
RF IEC/EN61000-4-6 conduit	3V RMS 150 kHz à 80MHz	3V RMS	<p>La distance séparant les équipements de communication RF mobiles et portables et les pièces du Surgic Pro series (câbles compris) ne doit pas être inférieure à la distance de séparation recommandée et calculée à partir de l'équation applicable pour la fréquence du transmetteur.</p> <p>Distance de séparation recommandée</p> $d = 1,2 \sqrt{P}$ $d = 1,2 \sqrt{P} \quad 80\text{MHz à } 800\text{MHz}$ $d = 2,3 \sqrt{P} \quad 800\text{MHz à } 2,5\text{GHz}$ <p>Si P est le niveau de puissance maximal du transmetteur en watts (W) selon le fabricant du transmetteur et que (d) est la distance de séparation recommandée en mètres (m).</p> <p>Les intensités de champ des transmetteurs RF fixes telles que déterminées par une étude (a) de site électromagnétique doivent être inférieures au niveau de conformité dans chaque gamme de fréquence (b).</p> <p>Il se peut qu'il y ait des interférences à proximité des équipements arborant le symbole suivant :</p> 
RF IEC/EN61000-4-3 émis	3V/m 80MHz à 2,5GHz	3V/m	
NOTE1 A 80MHz et 800MHz, la gamme de fréquence supérieure est d'application.			
NOTE2 Ces directives ne s'appliquent pas dans toutes les situations. La propagation électromagnétique est touchée par l'absorption et la réflexion depuis les structures, les objets et les personnes.			
<p>a Les intensités de champ depuis les transmetteurs fixes, comme par exemple les stations de base pour les téléphones (portables/sans fil) et les radios mobiles, la radio amateur, la diffusion radio AM et FM et la diffusion télévisée, ne peuvent théoriquement pas être prévues avec précision. Pour évaluer l'environnement électromagnétique engendré par les transmetteurs RF fixes, une étude de site électromagnétique devrait être envisagée. Si l'intensité de champ mesurée sur le site dans lequel le Surgic Pro series est utilisé dépasse le niveau de conformité RF applicable susmentionné, il conviendra de vérifier le bon fonctionnement du Surgic Pro series. En cas de fonctionnement anormal, des mesures complémentaires pourraient être nécessaires, comme par exemple la réorientation ou la relocalisation du Surgic Pro series.</p> <p>b Au-delà de la gamme de fréquence de 150kHz à 80MHz, l'intensité de champ doit être inférieure à 3V/m.</p>			

Câbles et accessoires	Longueur maximale	Revêtu	En Conformité avec
Micromoteur avec cordon moteur	2,0M	Non revêtu	Les émissions RF, CISPR11 : Class B / Group 1
Commande au pied avec cordon	2,0M	Non revêtu	Emissions harmoniques : IEC61000-3-2 / EN61000-3-2
Cordon d'alimentation CA	2,0M	Non revêtu	Les fluctuations de voltage / les émissions fluctuantes : IEC61000-3-3 / EN61000-3-3
			Décharge électrostatique (ESD) : IEC61000-4-2 / EN61000-4-2
			Electrical fast transient / burst IEC61000-4-4 / EN61000-4-4
			Surtension : IEC61000-4-5 / EN61000-4-5
			Chutes de tension, courtes interruptions et variations de voltage sur les lignes d'alimentation : IEC61000-4-11 / EN61000-4-11
			Fréquence de puissance (50/60Hz) champ magnétique : IEC61000-4-8 / EN61000-4-8
			RF conduit : IEC61000-4-6 / EN61000-4-6
			RF émis : IEC61000-4-3 / EN61000-4-3

Distances de séparation recommandées entre l'équipement de communication RF mobile et portable et le Surgic Pro series.			
Le Surgic Pro series est conçu pour être utilisé dans un environnement électromagnétique dans lequel les nuisances RF émises sont contrôlées. Le client ou l'utilisateur du Surgic Pro series peut prévenir les interférences électromagnétiques en conservant une distance minimale entre l'équipement de communication RF portable (transmetteurs) et le Surgic Pro series, comme recommandé ci-dessous, selon la puissance maximale de l'équipement de communication.			
Puissance maximale estimée du transmetteur W	Distance de séparation selon la fréquence du transmetteur. m		
	150kHz to 80MHz $d = 1,2 \sqrt{P}$	80MHz to 800MHz $d = 1,2 \sqrt{P}$	800MHz to 2,5GHz $d = 2,3 \sqrt{P}$
0,01	0,12	0,12	0,23
0,1	0,38	0,38	0,73
1	1,2	1,2	2,3
10	3,8	3,8	7,3
100	12	12	23
Pour les transmetteurs dont la puissance maximale n'est pas indiquée ci-dessus, la distance de séparation « d » recommandée en mètres (m) peut être estimée à l'aide de l'équation applicable à la fréquence du transmetteur, si « P » est la puissance maximale du transmetteur en watts (W) selon le fabricant du transmetteur.			
NOTE1 A 80MHz et 800MHz, la distance de séparation pour la gamme de fréquence supérieure est d'application.			
NOTE2 Ces directives ne s'appliquent pas dans toutes les situations. La propagation électromagnétique est touchée par l'absorption et la réflexion depuis les structures, les objets et les personnes.			

Surgic Pro

Gracias por adquirir la unidad quirúrgica NSK Surgic Pro series.

Le recomendamos que, antes de su uso, lea detenidamente las instrucciones de uso, método de manejo o comprobación de mantenimiento para que pueda seguir usando la unidad en el futuro. Asimismo, mantenga este manual de usuario en un lugar donde pueda consultarlo en cualquier momento.



◆ Finalidad

Surgic Pro series ha sido diseñado para su uso en cirugía dental oral por personal cualificado.

Índice



1. Advertencias de seguridad antes del uso	48
2. Contenido del paquete	50
3. Unidad de control y Controlador de pedal	51
4. Instalación	53
5. Configuración	56
6. Manejo	58
7. Circuito de protección	62
8. Códigos de error y Localización de averías	62
9. Cambio de fusible	64
10. Mantenimiento	64
11. Esterilización	65
12. Accesorios opcionales	66
13. Características técnicas	66
14. Eliminación del producto	66
15. Símbolos	67
16. Información de Compatibilidad Electromagnética (EMC)	67

◆ Clasificación del equipamiento

- Tipo de protección contra descargas eléctricas:
 - Equipamiento de clase I
- Grado de protección contra descargas eléctricas:
 - Pieza aplicada de tipo BF: 
- Método de esterilización o de desinfección recomendado por el fabricante:
 - Ver 11. Esterilización
- Grado de protección contra la entrada de agua, tal y como se detalla en la edición actual de CEI 60529:
 - Pedal de control: IPX8 (Protegido contra los efectos de la inmersión continua en agua)
- Grado de seguridad de la aplicación en presencia de mezcla anestésica inflamable con aire, con oxígeno u óxido nítrico:
 - Motor, pedal de control: equipamiento de categoría AP 
- Modo de funcionamiento:
 - Operación intermitente

Precauciones para su uso y funcionamiento

- Lea detenidamente estas advertencias de seguridad antes de usar y trabajar adecuadamente con el producto.
- Estos indicadores tienen el fin de permitirle un uso seguro del producto, evitar que se produzca cualquier daño o ponerle en peligro a usted o a otras personas. Estos indicadores se clasifican según el grado de peligro o daño y gravedad. Todos los indicadores se refieren a la seguridad, asegúrese de seguirlos.

Clasificación	Grado de Peligro o Daños y Seriedad
 ADVERTENCIA	Explica una instrucción con la que hay que tener cuidado ya que es posible que se produzcan heridas personales o daños físicos.
 PRECAUCIÓN	Explica una instrucción con la que hay que tener cuidado ya que es posible que se produzcan heridas personales medias o daños físicos.
IMPORTANTE	Explica una instrucción que debe observarse por razones de seguridad.

1. Advertencias de seguridad antes del uso

Lea atentamente el manual de uso de la pieza de mano antes de su utilización.

ADVERTENCIA

- Para EVITAR UNA DESCARGA ELÉCTRICA, NO desconecte el cable de CA con las manos húmedas.
- Asegúrese de evitar que el agua entre en la unidad de control ya que podría provocar un cortocircuito y una descarga eléctrica.
- Utilice una toma eléctrica de tierra. Podría sufrir una descarga eléctrica si no dejara de usarla.
- El sistema puede presentar una posibilidad de mal funcionamiento cuando se utiliza en presencia de una ola de interferencia electromagnética. No instale el sistema cerca de un dispositivo que emita ondas magnéticas. Apague el interruptor de potencia de la unidad de control del sistema cuando se utilice un dispositivo de oscilación ultrasónica o cuando un cuchillo de electrodo esté cerca.

PRECAUCIÓN

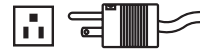
- La precisión del indicador de la velocidad depende de manera decisiva en el rendimiento de alta precisión de la pieza de mano/contra-ángulo que se monta en el micromotor. Para garantizar la exactitud del torque que muestra en la pantalla, utilice SOLAMENTE los contra-ángulos NSK que figuran en la "12. Contra-ángulos y Accesorios opcionales". Si hay otra pieza de mano conectada, puede que el torque resultante no se ajuste al indicado en la pieza de mano.
- Surgic Pro series requiere unas precauciones especiales en relación con EMC y necesita ser instalado y puesto en funcionamiento de acuerdo con la información EMC.(Refiérase 16. EMC Información)
- Un equipo de comunicaciones rf móviles y portátiles puede afectar el Surgic Pro series. No utilice los alrededores del equipo rf para el producto.
- El uso de accesorios, motores y cables que no sean aquellos especificados, con la excepción de motores y cables vendidos por el fabricante de Surgic Pro series, como piezas de recambio para componentes internos, puede provocar un aumento de las EMISIONES y una disminución de la INMUNIDAD de la Unidad de control.
- Surgic Pro series no debe utilizarse cerca o apilado con otro equipamiento y, si el uso cercano o apilado fuera necesario, la Unidad de control deberá ser observada para comprobar el funcionamiento normal en la configuración en la que se use.
- Al utilizar este sistema, piense siempre en la seguridad del paciente.
- No intente desmontar la unidad de control/ pedal de control/ micromotor ni modificar su mecanismo.
- Compruebe la vibración, ruido y sobrecalentamiento antes de su uso, si se produjera alguna anomalía, detenga su uso inmediatamente y póngase en contacto con su distribuidor.
- Utilice una toma eléctrica de tierra.
- No la arroje, golpee ni la someta a un choque excesivo.
- No doble el tubo de riego mientras la bomba de agua esté en funcionamiento. Podría provocar la rotura del tubo.
- No utilice fresas dobladas, dañadas o no originales. La lima podría doblarse o romperse.

- No supere la velocidad recomendada.
- Después de cada funcionamiento, asegúrese de lubricar y esterilizar la pieza de mano tan pronto como esté limpia. La coagulación sanguínea podría provocar óxido. No obstante, no lubrique el micromotor. El aceite podría generar un calor excesivo y podría provocar daños.
- La unidad de control puede limpiarse con un paño húmedo. Desconecte la corriente eléctrica antes de la limpieza. La unidad de control y el pedal de control no pueden esterilizarse con ningún método.
- Cuando el producto se utilice con mucha frecuencia, considere el mantenimiento de un pequeño stock de piezas de recambio.
- No desconecte el cable de motor del motor.
- No limpie, frote ni sumerja el aparato en agua muy ácida o en soluciones esterilizantes.
- En cuanto al tiempo de funcionamiento del motor y de la pieza de mano, siga la tabla que aparece más abajo. Un uso continuo durante un tiempo prolongado con un torque elevado puede producir el sobrecalentamiento de la pieza de mano, lo que a su vez puede ocasionar un accidente.
- Los accesorios utilizados para el paciente y/o especialista son la pieza de mano.
- No fije los ojos en la luz del LED.
- Si se produjera alguna anomalía en el LED (oscuro, sin iluminar o parpadear), deje de usarlo inmediatamente y póngase en contacto con su proveedor.
- Si se emplea el micromotor con la luz encendida 'ON' de modo continuo durante más de 3 minutos, el motor se calentará. (La temperatura de superficie máxima podría alcanzar los 45°C en esta situación). Si ocurre, deje de utilizar el micromotor hasta que la pieza con luz se enfríe o emplee el micromotor sin encender la luz.
- Solo se puede conseguir una conexión a tierra fiable cuando el equipo esté conectado a un receptáculo marcado como "Hospital Only" o "Hospital Grade".
- Para mayor seguridad, instale la unidad de control en un lugar donde el cable de alimentación CA se pueda retirar fácilmente. (Es posible desconectar la unidad de control de la fuente de alimentación retirando el cable de alimentación CA.)

Modo de funcionamiento

Operación intermitente	
ON	OFF
3 min.	10 min.

El enchufe de alimentación de abajo se utiliza en la zona de Norte América.



Enchufe tipo NEMA 5-15P
(Hospital Grade Type)

IMPORTANTE

- Apague el conmutador de potencia después de cada uso.
- Para obtener indicaciones de servicio y piezas de recambio, póngase en contacto con su distribuidor.
- Se recomienda el uso del kit de tubo de irrigación desechable genuino de NSK, previamente esterilizado.
- El tiempo total de grabación es de unos 100 minutos.
- No inserte una memoria USB durante la operación.
- No retire el USB mientras la lámpara está encendida o parpadeando.
- No utilice los datos almacenados en la memoria USB con fines de diagnóstico.
- No use una memoria USB que no sea USB 2.0.
- No se garantiza que este dispositivo funcione con todas las memorias USB. Puede que no funcione con USB con funciones de seguridad o aquellos que requieran una gran cantidad de electricidad.

	Temperatura	Humedad	Presión atmosférica
Uso	Entre 0-40°C (32-104°F)	Entre 10-85% RH	Entre 700-1060 hPa
Almacenamiento (Transporte)	Entre -10-50°C (14-122°F)	Entre 10-85% RH	Entre 500-1060 hPa

Sin condensación de humedad en la unidad de control.

El uso fuera de estos límites podría provocar un mal funcionamiento.

2. Contenido del paquete



*La figura muestra el motor óptico, la pieza de mano óptica

Item No.	Description	Quantity
①	Cable eléctrico ca (2m)	1
②	Controlador de pedal con cable (2m)	1
③	Unidad de control	1
④	Tubo de irrigación	5
⑤	Poste de soporte de la solución refrigerante	1
⑥	Pieza de mano óptica/ pieza de mano no óptica*	1
⑦	Motor óptico/ motor no óptico (Con cable de motor)*	1
⑧	Conector Y	1
⑨	Fusible de recambio	2
⑩	Soporte del tubo	7

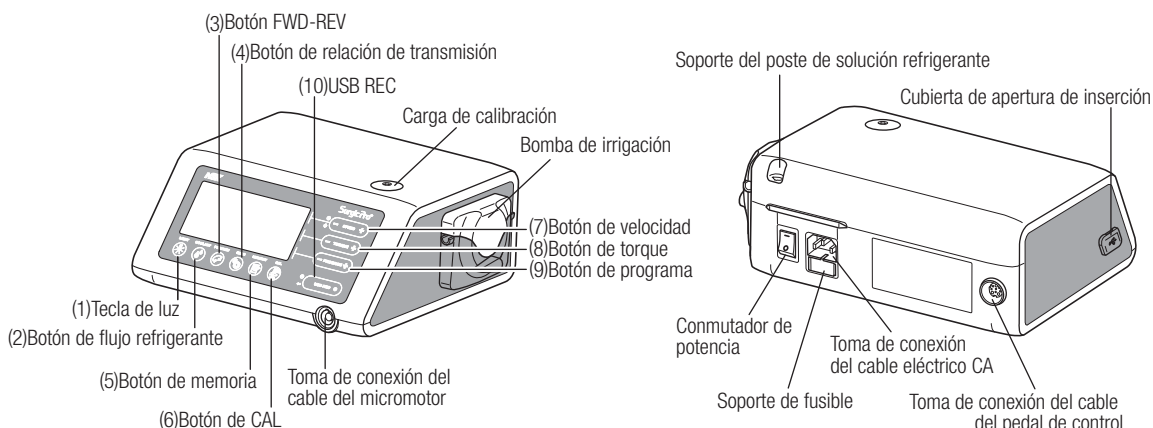
Item No.	Description	Quantity
⑪	Soporte para la pieza de mano	1
⑫	Boquilla de irrigación interna	1
⑬	Soporte de la boquilla	1
⑭	Cable de limpieza	1
⑮	Fresa de calibración	1
⑯	Boquilla de pulverización de tipo E	1
⑰	Enchufe de Protección	1
⑱	Junta tórica(Enchufe de Protección)	2
⑲	Junta tórica(Motor)	2

*La pieza de mano se conectará de forma apropiada y pieza de mano dependiente.

*Una de las piezas de mano/ motor debe ser empaquetado.

*USB no incluido.

3. Unidad de control y Controlador de pedal

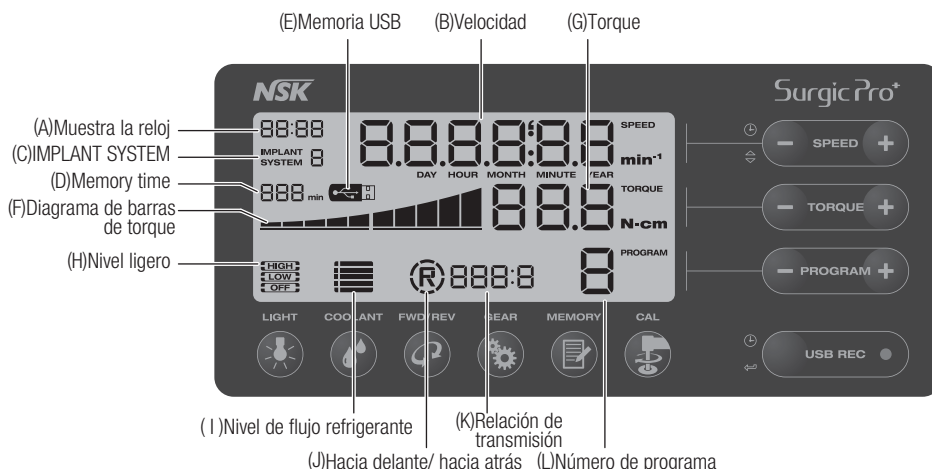


*El punto no numerado se explica en el contexto.

3-1 Botones en la unidad de control

- (1) Tecla de luz
Seleccione el nivel de luz. (OFF -> LOW->HIGH) Repetir el pulsado de tecla para pasar por los niveles de luz.(Default:HIGH)
- (2) Botón de flujo refrigerante:
Utilícelo para seleccionar los 6 niveles de flujo de solución refrigerante de 0 a 5. Vuelva a pulsar el botón para alternar entre los diferentes niveles de flujo refrigerante.
- (3) Botón FWD-REV:
Utilícelo para seleccionar la dirección de rotación. Pulse este botón una vez para cambiar la dirección de rotación. (Cuando esté en modo hacia atrás, la unidad de control le avisará audiblemente con un pitido)
- (4) Botón de relación de transmisión:
Utilícelo para configurar la relación de transmisión de la pieza de mano conectada antes de su uso. Vuelva a pulsar este botón hasta que la pantalla LCD indique la relación de transmisión correcta de la pieza de mano.
- (5) Botón de memoria:
Utilícelo para memorizar los parámetros de programa establecidos por el usuario. Pulse y mantenga pulsado este botón durante 1 segundo aproximadamente para memorizar los parámetros. Cuando suene un pitido, los parámetros del nuevo programa habrán sido memorizados.
- (6) Botón de CAL:
Uso de activar el ciclo de la calibración del pieza de mano antes de usar.
- (7) Botón de velocidad:
Utilícelo para configurar la velocidad del micromotor. Pulse el botón (+) para aumentar y (-) para disminuir la velocidad. (Cuando se alcancen los límites superior e inferior, sonará un pitido de alarma)
- (8) Botón de torque:
Utilícelo para configurar el rango de torque. Pulse el botón (+) para aumentar y (-) para disminuir el rango de torque. (Cuando se alcancen los límites superior e inferior del rango de torque, sonará un pitido de alarma). La configuración del rango de torque se seleccionará en función de la relación de transmisión del accesorio de la pieza de mano.
- (9) Botón de programa:
Utilícelo para alternar entre los programas disponibles. Pulse el botón (+) para ascender y (-) para descender el número de programa. Encontrará todos los números de programa, de forma secuencial, pulsando los botones.
- (10) USB REC (Solo Surgic Pro+)
Pulse esta tecla para registrar la favorable operación de la serie de Surgic a la memoria del USB.
Una pulsación corta guardará los datos memorizados en la memoria USB. Una pulsación larga (aproximadamente 2 segundos) borrará los datos guardados en la memoria de la unidad de control.

3-2 Pantalla LCD de la consola de la unidad de control



(A) Muestra la reloj (Solo Surgic Pro+)

Panel del reloj. Se muestra el tiempo utilizando baterías instaladas en la unidad de control.

(B) Velocidad

Muestra la velocidad seleccionada.

Al pulsar el pedal de control velocidad de rotación del motor mostrada en la LCD. (Asumiendo que se haya seleccionado la relación de transmisión correcta)

Sin pulsar el pedal de control Se muestra la configuración preestablecida de rotación máxima en la LCD.

La velocidad de rotación se muestra durante la rotación. Cuando la rotación se detiene, se visualiza el conjunto de velocidad de rotación máxima. La velocidad del pedal de control varía dependiendo de lo que se presione el pie.

(C) IMPLANT SYSTEM

Se muestra el número del sistema de implante utilizado. (1 a 8).

(D) Memory time (Solo Surgic Pro+)

Se muestra el tiempo restante de memoria (Remain Time).

(E) Memoria USB (Solo Surgic Pro+)

Cuando se inserta la memoria USB, esta se visualiza en la pantalla LCD.

(F) Diagrama de barras de torque

Muestra el rango real de torque de funcionamiento. Cuando todas las barras están iluminadas, el torque de funcionamiento está al máximo. Cuando la mitad de las barras están iluminadas, entonces, el torque de funcionamiento es aproximadamente de un 50% respecto al torque preestablecido.

(G) Torque

Muestra el torque seleccionada.

* Al utilizar la relación de transmisión 1:1 o un aumento de velocidad de la pieza de mano, no se mostrará la Torque.

(Esta función es adecuada para una pieza de mano de reducción 2:1 o superior)

(H) Nivel ligero (Solo óptica)

Exhibe el nivel ligero seleccionado; los niveles ligeros son ALTOS, BAJOS y APAGADO.

(I) Nivel de flujo de refrigerante

Muestra el nivel de flujo de solución refrigerante seleccionado, el nivel de flujo seleccionado está indicado por 5 indicadores luminosos de nivel. Si no hay iluminación, el flujo de solución refrigerante está apagado.

(J) Indicador hacia delante/ hacia atrás

Muestra la dirección seleccionada del micromotor. Al rotar, la pantalla de circunferencia rota.

(K) Relación de transmisión

Muestra la relación de transmisión seleccionada de la pieza de mano.

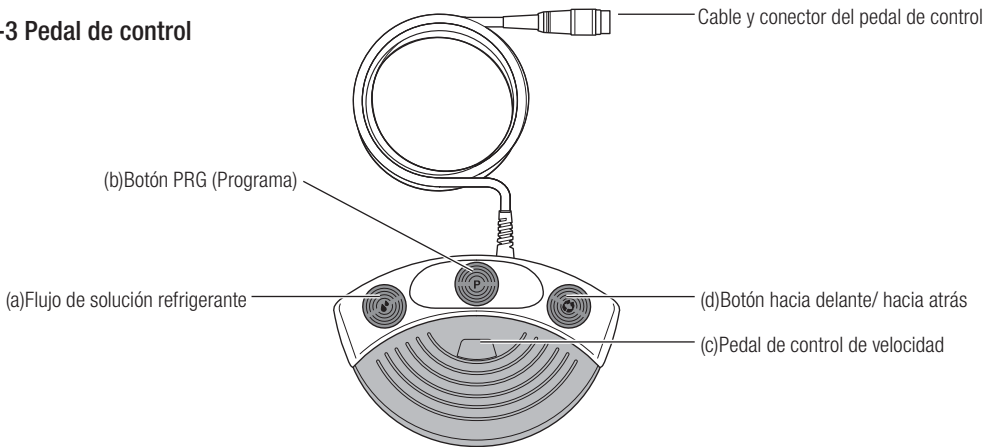
(L) Número de programa

Muestra el número de programa seleccionado.

IMPORTANTE

- Inmediatamente después de encender la fuente de alimentación, el reloj puede mostrar "88:88.00:00", o la pantalla LCD de la tecla USB REC puede parpadear, pero estos acontecimientos no son fallos de funcionamiento.
- Cuando la fuente de alimentación se enciende, el dispositivo volverá a su configuración predeterminada. Para guardar una configuración, consulte 6-1 Programación de operación de micromotor. (Por defecto: Sistema implante 1, Luz HIGH, Flujo refrigerante 3, Rotación F, Relación de transmisión 20:1, Número de programa 1, Torque 20.Ncm, Velocidad 800min⁻¹)
- Una vez embalado para su envío, etc., el reloj parpadeará en "00:00" si no se ha fijado. Ver 5-1 Hora y Fecha.
- Cuando la pantalla del reloj parpadea en "- - - -", significa que las pilas del reloj se han agotado. Póngase en contacto con la tienda donde compró el dispositivo.

3-3 Pedal de control



(a) Botón del volumen de flujo de solución refrigerante

Utilícelo para seleccionar los 6 niveles de flujo de solución refrigerante de 0 a 5, cada nivel puede aumentarse pulsando una vez este botón. Si pulsa el botón en el nivel 5, éste vuelve al nivel 0.

(b) Botón (Programa) PRG

Utilícelo para seleccionar el número de programa deseado. Los números de programa siempre aumentarán cada vez que se pulse y suelte el botón. Para descender, púselo, manténgalo pulsado durante 1 segundo y suéltelo.

(c) Pedal de control de velocidad

Utilizado para accionar y detener el micromotor y para controlar la velocidad durante el funcionamiento. La velocidad de funcionamiento del micromotor es directamente proporcional a la posición del pedal de control, hasta la velocidad máxima preestablecida.

(d) Botón hacia delante/ hacia atrás

Utilizado para cambiar la dirección de rotación del micromotor: púselo una vez para cambiar la dirección de rotación.

4. Instalación



- Instale el cable/enchufe solo si la corriente está desconectada.

PRECAUCIÓN

4-1 Conexión del cable de motor

Alinee la marca [•] del cable del micromotor con la marca [•] en la unidad de control, introduzca la base del enchufe del cable del micromotor en la toma hasta que la junta de cierre haga "clic" en su sitio.

Para desconectar el enchufe, tire de la junta de cierre, tire de nuevo para desconectar el cable.

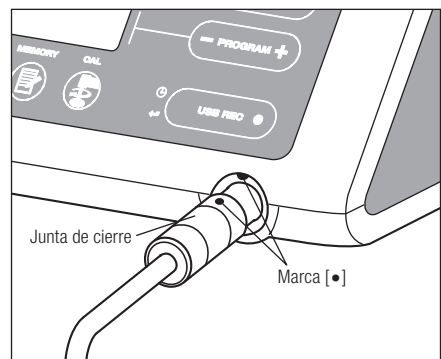


Fig. 1

4-2 Conexión de la pieza de mano

PRECAUCIÓN

- Cuando se utiliza el micromotor Surgic Pro con luz (SGL70M), SÓLO ULITICE contra-ángulos con luz. Los contr-ángulos sin luz no se pueden conectar precisamente al micromotor y esto puede provocar un mal funcionamiento del micromotor bajo carga.

- 1) Empuje la pieza de mano en el motor teniendo cuidado en mantenerla alineada.
- 2) Gire la pieza de mano hasta que se bloquee en su sitio haciendo clic.

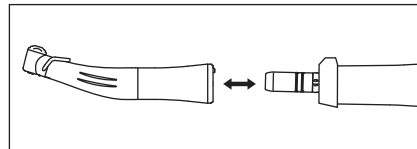


Fig.2

4-3 Conexión del pedal de control

Coloque el tornillo de la clavija del pedal hacia abajo, a continuación, introduzca la clavija en el conector del cable del pedal, situado en la unidad de control. Asegure la clavija apretando la contratuerca. Consulte las figuras 3.

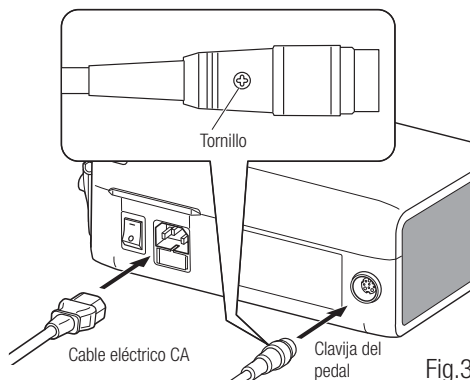


Fig.3

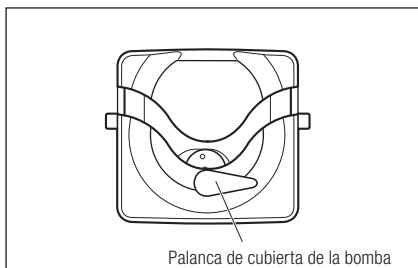
4-4 Conexión del cable eléctrico CA

Alinee correctamente e introduzca el cable eléctrico CA en la conexión de cable eléctrica CA, situada en la parte trasera de la unidad de control. (Fig. 3)

4-5 Instalación del tubo de riego

Asegúrese de que la palanca de cubierta de la bomba está en la posición "OPEN", con el tubo de irrigación "Needle" hacia la parte posterior de la unidad de control. Posicione los topes del conjunto de tubo en la guía del tubo de forma segura. (Fig. 4)

<Posición OPEN (abierto)>



Palanca de cubierta de la bomba

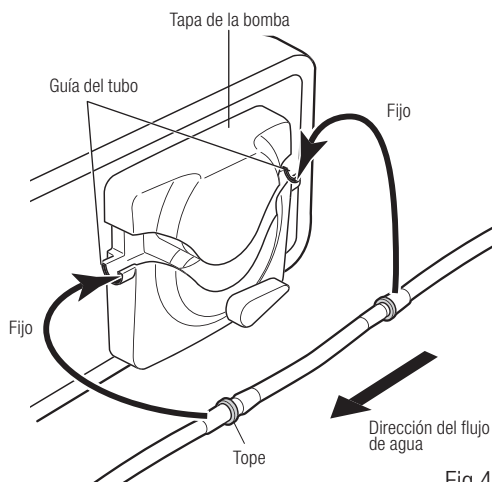


Fig.4

 **PRECAUCIÓN**

- Asegúrese de que el tubo esté colocado en los rodillos, de forma segura, al cerrar la tapa de la bomba. Si el tubo no está correctamente posicionado en los rodillos y la tapa se cierra, el tubo podría cortarse o romperse. (Fig.5)
- No montar el tubo de irrigación a no ser que el paciente esté preparado para ello.
- Esto se deberá hacer después de que se haya apagado la fuente de alimentación del tubo de irrigación.

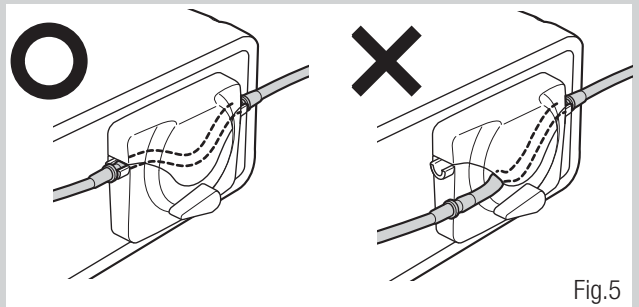


Fig.5

Después de posicionar correctamente los tubos, cierre la tapa de la bomba girando la palanca de la tapa de la bomba hasta la posición de "CERRADO" (180 grados en sentido antihorario) (Fig.6)

Para retirar, abra ("OPEN") la palanca de cubierta de la bomba y luego retire el tubo.

<Posición CLOSED (cerrado)>

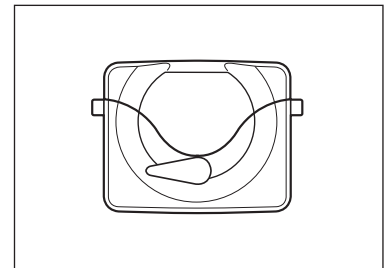


Fig.6

4-6 Montaje del soporte de la solución de refrigerante

Monte el soporte de la solución refrigerante en el orificio de la unidad de control, el soporte sólo se ajustará en una posición. Sitúe la botella tal y como se muestra en la Fig.7.

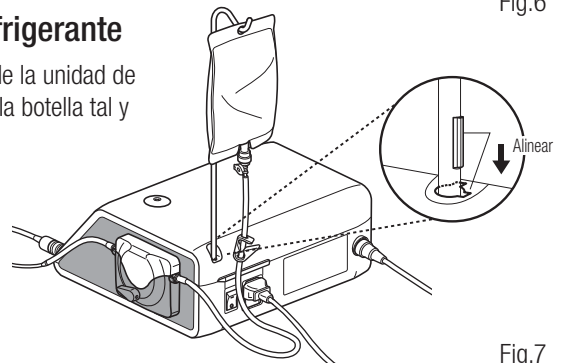


Fig.7

4-7 Inserción del tubo de irrigación

- 1) Cierre la válvula de paso del tubo, entre la aguja del tubo de irrigación y la bomba de irrigación, tal y como se muestra en la Fig.8.
- 2) Introduzca la aguja del tubo de irrigación en el tapón de la botella/bolsa. (Fig.9)
- 3) Abra el tapón del tubo para introducir aire en la botella/bolsa. (Fig.10)
- 4) Abra la válvula de paso del tubo.

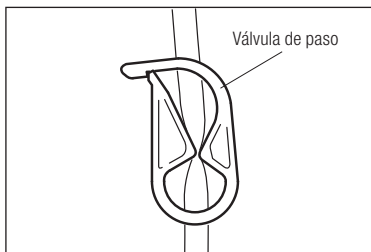


Fig.8

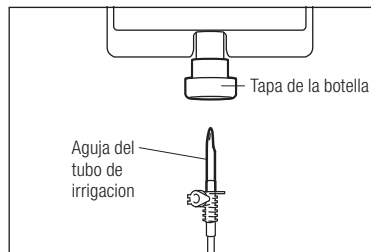


Fig.9

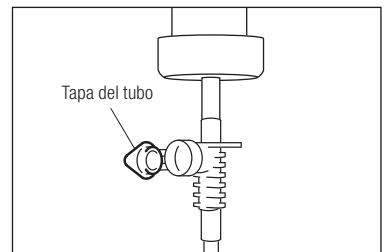


Fig.10

 **PRECAUCIÓN**

- No utilice la bomba de irrigación si el tubo está doblado o si su válvula está en posición cerrada. Esto podría provocar que el tubo estallara o se saliera de la botella/bolsa.

4-8 Compruebe la compatibilidad de la boquilla de irrigación interna

Las boquillas de irrigación interna acompañadas con este producto no se ajustan necesariamente a todas las fresas del mercado. Antes del uso, siga las siguientes instrucciones para comprobar que la boquilla encaja bien.

En caso contrario, la boquilla de irrigación interna encajada en las fresas, podría provocar una fuga de solución salina, lo que acarrearía problemas de oxidación o una parada repentina del equipamiento durante su uso.

Instrucciones:

- 1) Conecte una botella de solución salina a la unidad de control.
- 2) Conecte la boquilla de irrigación interna en la punta del tubo de irrigación.
- 3) Introduzca la boquilla de irrigación interna en la fresa desde la parte posterior. (Fig.11)
- 4) Purgue al "máximo" durante 5 segundos.

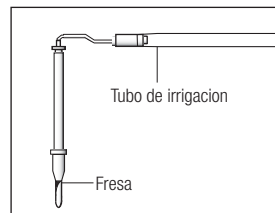


Fig.11

Puntos a comprobar:

- Limpieza de la solución salina proveniente de la fresa; si la solución es coloreada, podría haber óxido en el interior de la fresa. Si fuera el caso, cambie la fresa.
- Flujo de agua, si el flujo fuera bajo y/ o el flujo de la fresa fuera asimétrico, cambie la fresa.
- No hay fuga de agua entre la boquilla de irrigación interno y la fresa
- Antes de su uso, asegúrese de que no haya ninguna fuga de agua en el punto de entrada de la boquilla de irrigación, la causa podría ser un sello roto o una ausencia de sello en la fresa. Cambie la fresa aunque sea nueva ya que si la solución salina entra en la pieza de mano puede provocar un mal funcionamiento de ésta.



PRECAUCIÓN

- En caso de detectarse un mal funcionamiento como una fuga de solución salina de la parte posterior de la pieza de mano durante su uso, detenga el funcionamiento y solucione el problema.

4-9 Conexión de la boquilla de irrigación

El X-SG20L/SG20 cuenta con 3 métodos de irrigación disponibles en función de la herramienta y de la aplicación: externa, interna o ambas. Para una instalación detallada, consulte el manual de usuario de la pieza de mano que se adjunta.

4-10 Conexión del soporte del tubo

Utilice el cable de motor como sujeción para el "tubo de irrigación". Es más fácil introducir, en primer lugar, el cable de motor y, a continuación, el tubo de irrigación. (Fig.12)

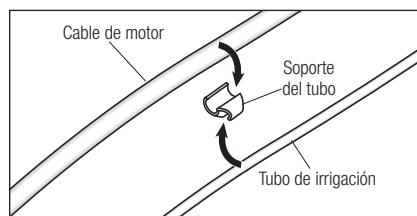


Fig.12

4-11 Memoria USB (no suministrada) (Solo Surgic Pro⁺)

- 1) Abra la cubierta de apertura de inserción en el lado de la unidad de control.
- 2) Inserte del todo la memoria USB. La marca USB aparecerá en la pantalla LCD cuando el USB sea reconocido por el dispositivo. (Fig.13)



PRECAUCIÓN

- No aplique impactos fuertes al USB cuando esté conectado.
- Cuando el USB no está conectado, cierre la cubierta de apertura de inserción.

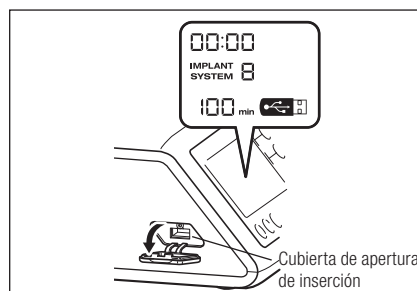


Fig.13

5. Configuración

5-1 Hora y Fecha

Al establecer la fecha y hora, se grabarán los datos sobre el tratamiento por día. (Ver 6-5 Memoria USB para aprender cómo almacenar datos en una memoria USB).

IMPORTANTE

- Ajuste el reloj antes de usar este sistema.
- Si el reloj no aparece o se muestra como "- : - :", significa que las pilas pueden que se hayan agotado. Póngase en contacto con la tienda donde compró el dispositivo.
- El reloj funciona con un sistema de visualización de 24 horas.
- El año puede ajustarse desde el 2010 hasta el 2099.

- 1) Pulse la tecla USB REC y SPEED (-) durante unos 2 segundos.
- 2) La pantalla de configuración aparecerá en la pantalla LCD. Los ajustes pueden realizarse por año, mes, día, hora y minuto en ese orden. Introduzca los datos y pulse el botón USB REC para pasar al siguiente punto. (El punto que usted ha elegido parpadeará).
- 3) Cambie los números presionando la tecla SPEED (+ -). Una pulsación larga aumentará números en incrementos de 5.
- 4) Cuando todos los puntos se hayan fijado, pulse la tecla USB REC durante 2 segundos para guardar la configuración.

**PRECAUCIÓN**

- Si se va la luz mientras se realizan los ajustes, los cambios no se guardarán. Empiece una vez más por el principio.
- Si los datos ya están almacenados en la memoria interna, no será posible establecer la fecha.

5-2 Ajuste de iluminación (solo X-SG20L)

Vuelva a pulsar la tecla LIGHT para pasar por los niveles de luz. Pulse la tecla LIGHT para cambiar el volumen de iluminación. (OFF → LOW → HIGH) (Por defecto es HIGH)

Para guardar los cambios, pulse la tecla de memoria por lo menos 2 segundos.

IMPORTANTE

- Repita los procedimientos anteriores al restaurar el funcionamiento.
- El estado de la lámpara permanecerá establecido incluso si la alimentación está en "ON" y "OFF".
- Esta función sólo se puede aplicar para un motor óptico y pieza de mano.

5-3 Volumen de sonido

Es posible cambiar el volumen de los sonidos de operación y de alerta para teclas.

- 1) Encienda la alimentación manteniendo pulsada la tecla CAL.
- 2) Al encender el equipo, el volumen se alterna entre "Large" y "Low". (El valor predeterminado es "Low")
 - * El volumen de sonido no aparece en la pantalla LCD. Los cambios de sonido real.

IMPORTANTE

- Las configuraciones se guardarán incluso si la alimentación está apagada.

5-4 Configuración de fábrica

Cuando se enciende el dispositivo, este volverá a la configuración de fábrica. Las configuraciones preferentes y programas, etc., se borrarán, así que asegúrese de realizar copias.

- 1) Encienda la unidad mientras presiona el la tecla PROGRAM (+ -).
- 2) Aparecerá "Set" en la pantalla LCD (también se emitirá un pitido corto). Al pulsar la tecla CAL, el dispositivo volverá a la configuración de fábrica.
- 3) Aparecerá "Fin" en la pantalla LCD (también se emitirá un pitido largo). La inicialización finaliza cuando la pantalla vuelve a su imagen habitual.

**PRECAUCIÓN**

- Aun cuando el dispositivo vuelve a la configuración de fábrica, los datos de fecha y hora no se inicializarán.

6. Manejo

6-1 Programación del funcionamiento del micromotor

La unidad de control puede memorizar 8 programas. Cada programa incluye las siguientes funciones que pueden realizarse automáticamente cuando se selecciona el número de programa apropiado.

Relación de transmisión de la pieza de mano
Velocidad
Dirección de rotación
Límite superior de torque
Flujo de solución refrigerante
Nivel ligero

Marca de símbolo del conmutador de potencia	○	I
Función	OFF	ON

- 1) Encienda la alimentación pulsando el conmutador de potencia [I]; al encender el Sistema de implante número 1 se mostrará por defecto el número de programa 1.
- 2) Seleccione un número de programa usando el paso (a) o paso (b):
 - (a) Pulse la tecla PROGRAM (+ -) en el panel de control hasta que aparezca el número de programa deseado.
 - (b) Pulse el botón PRG(Program) en el pedal de control hasta que aparezca el número de programa deseado.
- 3) Selección de la dirección de rotación de la pieza de mano. Selecciónelo utilizando el paso (a) o paso (b):
 - (a) Pulse la tecla FWD/REV en el panel de control hasta que aparezca la dirección deseada.
 - (b) Pulse el botón Forward/Reverse en el pedal de control hasta que aparezca la dirección deseada.

IMPORTANTE

- Habrá un pitido mientras aparece "R" en el display.
- Los pitidos que se escuchan durante las rotaciones y cuando el dispositivo se detiene no son los mismos. Diferentes sonidos no indican un mal funcionamiento.

- 4) Selección de la relación de transmisión de las piezas de mano de contra-ángulo relevantes para el programa; pulse la tecla GEAR para seleccionar la relación de transmisión de la pieza de mano. (La relación de transmisión se mostrará en la pantalla LCD)
- 5) Configure la velocidad de funcionamiento máxima requerida pulsando la tecla SPEED. Cada vez que se pulse este botón, la pantalla cambiará al siguiente nivel de velocidad. Pulsando esta tecla durante más de 1 segundo, la velocidad cambia con mayor rapidez hasta que la pantalla de velocidad alcanza su límite superior o inferior.
 - Cuando la configuración de velocidad alcance el nivel superior o inferior, se oír un pitido y la configuración de velocidad no podrá cambiarse más.
- 6) Configure el límite superior de torque pulsando la tecla TORQUE en el panel de control. Cada vez que se pulse esta tecla, la pantalla cambiará al siguiente nivel de torque. Pulsando este botón durante más de 1 segundo, hará que el torque aumente con mayor rapidez al siguiente nivel hasta que la pantalla de torque alcance su límite superior o inferior.
 - Cuando el ajuste de torque alcance el nivel superior o inferior, se oír un pitido y dicho ajuste no podrá cambiarse más.
- 7) El nivel de flujo de solución refrigerante tiene 6 niveles de flujo (0-5) (0= sin flujo refrigerante). Seleccione un volumen de flujo de solución refrigerante usando el paso (a) o paso (b):
 - (a) Pulse la tecla COOLANT en el panel de control hasta que aparezca el nivel de flujo deseado.
 - (b) Pulse el botón Coolant Solution Flow Volume en el pedal de control hasta que aparezca el nivel de flujo deseado.
- 8) Una vez completados los pasos 2) – 7), pulse y mantenga pulsada la tecla MEMORY hasta que se oiga un pitido. El pitido confirma que se ha completado la programación. Si oiera un pitido corto cuando se pulsa la tecla MEMORY por primera vez, ignore este sonido y no pulse la tecla MEMORY hasta que se escuche un pitido largo.
 - * Repita los pasos anteriores 2) - 8) para programar cualquiera de los 8 programas disponibles.

6-1-1 Función de salto de programa

Al cambiar programas utilizando el pedal de control, se pueden escoger por adelantado números de programas que no se han elegido.

- 1) Elija los números de programa que desea que se salte la unidad de control.
- 2) Utilice la tecla SPEED (-) para mostrar la velocidad de rotación mínima.
- 3) Suelte la tecla SPEED (-) y a continuación púlsela de nuevo. Aparece "---" en la pantalla LCD.
- 4) Pulse la tecla de memoria hasta que se emita un pitido (unos 2 segundos) para memorizar.

IMPORTANTE • Es posible elegir los programas que se han saltado con la unidad de control.

6-2 SISTEMA DE IMPLANTE

Surgic Pro Series puede memorizar 8 sistemas de implante diferentes. Asimismo, usted puede programar 8 pasos en el número de SISTEMA que está empleando. Cuando fije el programa, ajústese a los valores recomendados por el fabricante de implantes.

En la programación de cada sistema de implantes, se puede cambiar al siguiente nivel pulsando el botón PROGRAM (+) y (-) al mismo tiempo.

6-3 Función de calibración

La resistencia a la rotación de la pieza de mano depende del modelo de pieza de mano, condición y desgaste interno de sus engranajes. Esta unidad de control incorpora una función automática para reconocer el nivel de resistencia de la pieza de mano y micromotor conectados.

IMPORTANTE • Este equipo está diseñado para lograr la mayor precisión de calibración en una reducción de 20:1. Para la calibración USE EXCLUSIVAMENTE los contra-ángulos de reducción 20:1 que figuran en "12. Contra-ángulos y Accesorios opcionales".

- No se debe calibrar una pieza de mano con micro sierra.
- La calibración sólo debe llevarse a cabo con una pieza de mano NSK.

6-3-1 Preparación de calibrado

- 1) Adjuntar relación de transmisión (tasa de reducción) 20:01 pieza de mano al motor.
- 2) Conecte la fresa de calibración a la pieza de mano.
- 3) Pulse la tecla CAL durante unos 2 segundos.

Habrà un pitido y la pantalla cambiarà a modo de calibración.

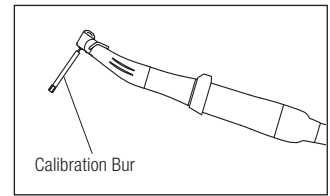



Fig.14

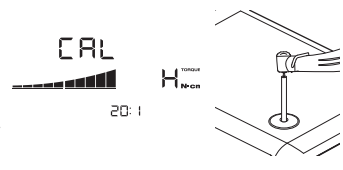
6-3-2 Realización de calibración

PRECAUCIÓN  • No aplicar carga durante la calibración sin carga. Si se aplica carga aparecerà "FAIL" en la pantalla LCD y la calibración se detendrá.


- 1) Calibración sin carga ... pantalla de torque "L"
Mantenga el motor en la mano y asegúrese de que "L" aparece en la pantalla de torque. Presione la tecla CAL sin aplicar carga. La fresa de calibración comenzará a rotar. La calibración se completa cuando se emite un pitido y "donE" aparece en la pantalla.



- 2) Calibración de carga ... pantalla de torque "H"
Asegúrese de que "H" aparece en la pantalla de torque, conecte la fresa de calibración en el remitente de torque. Presione la tecla CAL (la calibración se lleva a cabo mientras se aplica carga de torque, por lo que debe agarrar con seguridad la pieza de mano.) La fresa de calibración comenzará a rotar. La calibración se completa cuando se emite un pitido y "donE" aparece en la pantalla.



- 3) Calibración de velocidad
Pulse la tecla CAL después de quitar la barra del transmisor de torque y desmontar la fresa de calibración. La barra comenzará a rotar a una velocidad lenta. Después de rotar lentamente durante 8 segundos, la barra girará a alta velocidad durante 8 segundos. Habrá un pitido cuando la calibración se haya completado. El modo de calibración finalizará automáticamente.

PRECAUCIÓN  • Durante el proceso, la velocidad de rotación aumenta automáticamente y finalmente rota a una velocidad elevada. Se debe tener mucho cuidado para evitar cualquier peligro.

Ejemplo de fallo de calibración

- La abrasión extrema del engranaje y una pérdida mecánica puede exceder los límites de control. No se pueden obtener unos datos corregidos durante el ciclo de calibración por lo que la calibración fallará. En este caso, solicite una reparación.
- Si irregularidades tales como la abrasión extrema del cambio y pérdida mecánica exceden el límite de control, los datos correctos no se podrán obtener durante la calibración. En este caso, solicite una reparación.
- A calibración fallará, en caso de que la fresa de calibración esté en contacto con algo durante una calibración sin carga o si se aplica una carga errónea durante la calibración de carga.

6-4 Funcionamiento estándar

- 1) Seleccione el número de programa deseado.
Unidad de control: Pulse PROGRAM (+ -) Key.
Pedal de control: Pise el pedal de control PRG (Programa) Pulsando el botón PRG (Programa) durante 1 segundo más descenderá al siguiente número de programa.
- 2) Pulse el pedal de control de velocidad en el centro del pedal de control, el micromotor comenzará a funcionar. La bomba de refrigerante también funcionará. (si está programada) La velocidad aumenta a medida que se pulsa el pedal. Cuando se pulse totalmente el pedal de control, la velocidad alcanza el valor máximo preestablecido.
- 3) Inversión de la dirección de rotación del micromotor: Para invertir la dirección del micromotor (y fresa) simplemente, pulse el botón de Forward/Reverse del pedal de control. Se oír un pitido de advertencia cuando la dirección de rotación esté en modo hacia atrás.



PRECAUCIÓN

- Si se emplea el micromotor con la luz encendida 'ON' de modo continuo durante más de 3 minutos, el motor se calentará. (La temperatura de superficie máxima podría alcanzar los 45°C en esta situación). Si ocurre, deje de utilizar el micromotor hasta que la pieza con luz se enfríe o emplee el micromotor sin encender la luz.
- Activación del limitador de torque: Durante su uso, cuando la carga de perforación alcanza el límite superior de torque preestablecido, el limitador de torque integrado se activa automáticamente para evitar una sobretorsión. Cuando el limitador de torque se activa, el motor se detiene tras pitar durante 1 segundo. Para reactivar el micromotor, suelte el pedal de control de velocidad y vuelva a pulsarlo.

- 4) Suelte el pedal de control y el micromotor se detendrá automáticamente.

6-5 Memoria USB (Solo Surgic Pro⁺)

IMPORTANTE

- Cuando el reloj no esté ajustado, la hora y la fecha no se registrará en los datos. Se recomienda que el reloj esté fijado antes de usar el dispositivo.

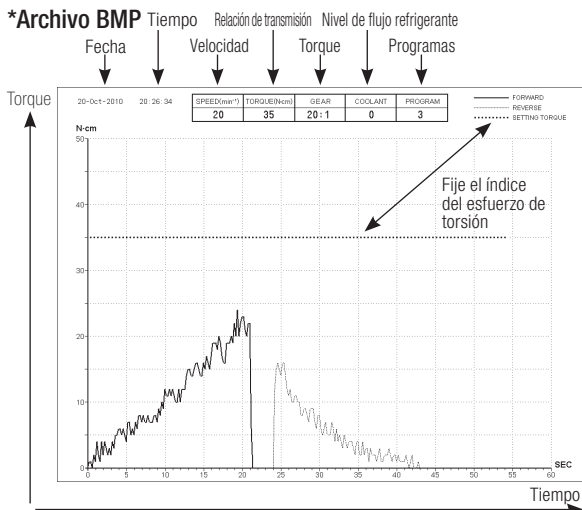
El reloj interno se utiliza junto con las diferentes operaciones de este dispositivo (fecha utilizada, hora de inicio, cantidad de tiempo, relación de transmisión, volumen de irrigación, velocidad de rotación, FWD/REV, torque, número de programa), lo que permite almacenar datos en orden cronológico en el USB. (archivos CSV, archivos BMP) Los datos almacenados se pueden ver en un ordenador personal.

*Archivos y gráficos guardados



IMPORTANTE

- Un archivo BMP sólo se puede crear sólo cuando la relación de cambio sea de 20:1 y el número de rotaciones 50min⁻¹ o menos.



PRECAUCIÓN

- El tiempo total de grabación es de unos 100 minutos.
- No inserte una memoria USB durante la operación. Sólo insertar después de que las operaciones se hayan realizado con el fin de almacenar datos.
- No utilice los datos almacenados en la memoria USB con fines de diagnóstico.
- No use una memoria USB que no sea USB 2.0.(NSK ha verificado el tamaño de la memoria USB hasta 32GB)
- No retire el USB mientras la lámpara LED está encendida o parpadeando. (El parpadeo indica que la memoria USB está comunicándose con el sistema)
- No se garantiza que este dispositivo funcione con todas las memorias USB. Puede que no funcione con USB con funciones de seguridad o aquellas que utilizan una gran cantidad de electricidad
- No encienda o apague el dispositivo con el USB insertado.
- Tenga cuidado de insertar el USB en la dirección correcta.
- Cuando un dispositivo USB no está conectado, cierre la cubierta del conector.
- Las pantallas LED y sus significados son los siguientes:
lámpara on = la memoria interna está copiando datos, parpadeando = la memoria USB está almacenando datos.
- Si la alimentación está apagada, la memoria interna se borrará. Desconecte la corriente después de almacenar los datos en la memoria USB.

6-5-1 Memoria interna

Después de encender la alimentación y que el motor empiece a rotar, la memorización se iniciará automáticamente. (Una memoria USB no necesita estar conectada)

6-5-2 Transmisión de datos almacenados

- 1) Inserte la memoria USB. (Cuando el sistema la reconozca, aparecerá la marca de memoria USB en la pantalla LCD)
- 2) Pulse el botón REC de la memoria USB para copiar los datos almacenados en la memoria USB.(durante el proceso de copia de datos la luz del botón REC permanecerá encendida)

IMPORTANTE

- Distinción de la dirección de rotación y el torque seleccionado empleando tipos de línea.
- Mientras esté en funcionamiento (memorización), permanecerá encendido REC en la pantalla LED de la memoria USB. Aproximadamente a los 10 de segundos de haber dejado de funcionar, la luz de la pantalla LED se apagará y el proceso de memorización se detendrá de modo temporal (el contador se parará también de forma temporal)

6-5-3 Reseteo

Pulse la tecla USB REC por lo menos 2 segundos. La cantidad de tiempo de grabación restante se restablecerá después de que se apague el pitido. (Tiempo inicializado:100min)

7. Circuito de protección

Un cortocircuito electrónico funciona automáticamente para proteger el micromotor y la unidad de control en caso de que el micromotor esté sobrecargado. El suministro de potencia al micromotor se detendrá automáticamente mostrando un código de error en la unidad de control.

Cuando el torque supere las cifras establecidas, "SAFE" aparecerá en la pantalla LCD y el dispositivo se detendrá.

*Puesta a cero del circuito de protección:

Para poner a cero el circuito de protección, suelte y presione el pedal de control de velocidad.

8. Códigos de error y Localización de averías

En caso de producirse un problema de funcionamiento, se mostrará un código de error que permitirá un diagnóstico inmediato del problema.

Cuando se produce un error, habrá un pitido y un código de error aparecerá en la pantalla LCD. El código de error parpadeará hasta que el error se solventa. El USB REC LCD se encenderá durante unos 10 segundos.

Suelte el pedal de control y píselo de nuevo para volver a realizar la comprobación de errores. Si no encuentra ningún problema, el error se cancela y las operaciones pueden continuar.

Código de error	Modo de error	Causa del error	Solución
E0	Error del sistema.	Fallo de memoria. (Surgic Pro +) - Memoria errónea. (Sin USB) - Se ha conctado un USB diferente al tipo estipulado. (ratón, impresora, etc,)	Requiere reparación. Confirme los equipos conectados.
E1	Corriente excesiva detectada.	Uso extendido bajo carga pesada. Cortocircuito en el micromotor.	El contacto eléctrico puede ser insuficiente. Vuelva a conectar, con seguridad, el cable de motor. Cuando no se pueda eliminar un error, solicite una reparación.
E2	Voltaje excesivo detectado.	Fallo en el cable del micromotor.	
E3	Error de sensor del motor.	Fallo en el sensor del micromotor. (Hall IC) Fallo en el cable del micromotor.	Requiere reparación. Asegúrese de usar un enchufe de autoclave al esterilzaro con autoclave.
		Entrada de agua en un motor.	
E4	Unidad de control interior. Error de sobrecalentamiento.	Sobrecalentamiento por uso extendido bajo carga pesada. Funcionamiento de la unidad de control a una temperatura extremadamente elevada.	Deje que se enfríe antes de su uso. Puesto que el calor se irradia suficientemente, la periferia de la unidad de control central debe ventilarse correctamente siempre que sea posible. Cuando no se pueda eliminar un error, solicite una reparación.
E5	Error de curvatura.	Voltaje anormal generado en el circuito de accionamiento/ parada. Fallo en el circuito de accionamiento/parada.	Cuando se repita la rotación y detención con frecuencias cortas, es posible que se haya activado un circuito que limite la aceleración al inicio. Espere unos segundos y vuélvalo a utilizar. Cuando no se pueda eliminar un error, solicite una reparación.
E6	Error en el fallo de rotación del motor.	Fallo en el accesorio de la pieza de mano. Fallo del micromotor.	El mandril puede estar abierto o puede que no se haya cerrado suficientemente. Cierre el mandril de forma segura. Cuando no se pueda eliminar un error, solicite una reparación.

E7	Voltaje excesivo de la bomba.	El tubo de riego se ha ajustado incorrectamente y carga el rodillo de la bomba. La bomba falla.	Compruebe el tubo de riego. Si apareciera un código de error incluso cuando el tubo de riego sea normal, solicite una reparación.
E8	Corriente excesiva de la bomba.		
E9	Anormalidad del pedal de control.	Fallo de conexión del conector. Fallo en el interior del pedal de control.	Compruebe el estado de conexión del conector. Si apareciera un código de error incluso cuando el conector estuviera conectado de forma normal, solicite una reparación.
E10	Voltaje excesivo de la lámpara. (Motor óptico)	Fallo de circuito de la lámpara.	Requiere reparación.
E11	Corriente excesiva de la lámpara (Motor óptico)	Compruebe que la solución salina no haya penetrado en la lámpara del motor.	Retire completamente la solución salina.
		Fallo de circuito de la lámpara.	Requiere reparación.

Errores relacionados con la función USB (se muestran en el indicador "Memory Time")

Código de error	Causa del error	Solución
UE0	Un USB diferente al tipo estipulado está conectado. ("EO" se mostrará en la pantalla VELOCIDAD)	Por favor, conecte con el tipo adecuado de memoria USB.
UE1	Error de circuito de módulo de memoria USB.	Notificar a la tienda donde se compró el dispositivo.
UE2	Los datos no pueden almacenarse en la memoria USB por una de las razones siguientes: <ul style="list-style-type: none"> • Falta de memoria disponible en USB. • Uso de un puerto USB en el que la copia está prohibida. • Nombre de archivo ya en uso. • Otro error relacionado con la memoria USB. 	<ul style="list-style-type: none"> • Reemplazar memoria USB. • Quitar el bloqueo que impide la copia. • Cambiar el nombre del archivo. • Leer las instrucciones para el uso de memoria USB.

Error	Causa del error	Solución
La pantalla está en blanco.	El enchufe de la fuente de alimentación no está bien insertado.	Verifique que el enchufe se encuentra dentro.
	Fusible quemado.	Reemplace el fusible.
	Mal funcionamiento del interruptor de encendido.	Requiere reparación.
La pantalla de número de rotación es "-" y los números se muestran y se alternan.	La alimentación está encendida cuando el controlador de pedal está presionado.	Retire el pie del controlador de pedal.
	Mal funcionamiento en el controlador de pedal.	Si el problema se resuelve quitando el controlador de pedal, el controlador de pedal no funciona correctamente. Es necesaria una reparación.
	Mal funcionamiento de la unidad.	Si el problema no se resuelve quitando el controlador de pedal, la unidad no ha funcionado correctamente. Es necesaria una reparación.
No rotará incluso si el pedal está presionado.	La conexión del cable está suelta.	Compruebe la conexión.
	Mal funcionamiento de la unidad o controlador de pedal.	Si el problema no se resuelve mediante la comprobación de la conexión, será necesaria una reparación del sistema.

9. Cambio de fusible

Si la unidad de control no funcionara, compruebe los fusibles (Compuerta de la caja de fusible situada en la parte trasera de la unidad de control). Para acceder al fusible, use una herramienta puntiaguda en el cerrojo de los fusibles y la compuerta se abrirá. (Fig.15)

Índices de fusibles		
120V	T3,15AL	250V
230V	T1,6AL	250V

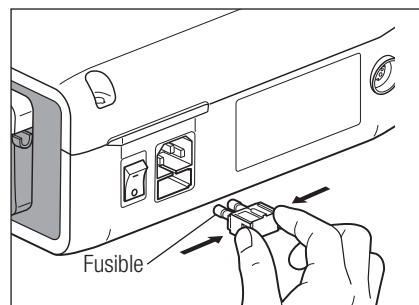


Fig.15

10. Mantenimiento

10-1 Mantenimiento de la unidad de control y del pedal de control

En caso de que la unidad de control o el pedal de control tengan manchas de sangre o de solución salina, retire el cable eléctrico CA, limpie la unidad de control o el pedal de control con un paño húmedo y a continuación con un paño humedecido en alcohol.

10-2 Mantenimiento de la pieza de mano y motor

Retire la suciedad y los desechos del producto. No utilice un cepillo de alambre.

Limpie con un paño o trapo de algodón impregnado en alcohol.

 Esta pieza de mano puede limpiarse o desinfectarse con un termo-desinfectante.

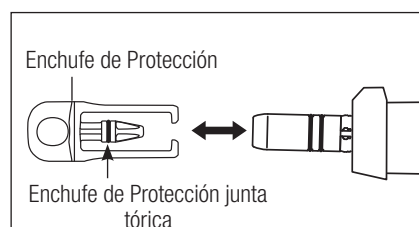


Fig.16

Conecte el enchufe de protección al micromotor

Para más detalles, consulte el manual de usuario del termo-desinfectante.



PRECAUCIÓN

- Utilice siempre el enchufe de protección durante el termo-desinfectante.
- No utilice el enchufe de protección sin la junta tórica montada. Podría provocar un mal funcionamiento. Si la junta tórica ha sido dañada, sustitúyala inmediatamente.
- Para obtener más información sobre la pieza de mano, consulte su manual de usuario.

IMPORTANTE

- El anillo o de Enchufe de Protección consumible. Si dañó, sustitúyalo nuevo.
Optional Enchufe de Protección: No. de pedido 10001595
Enchufe de Protección junta tórica : No. de pedido 0312457102

11. Esterilización

 Todas las piezas de mano pueden ser esterilizables en autoclave hasta una Tª Max.135 °C.

- Se recomienda esterilizar con autoclave.
- Es necesaria una esterilización con autoclave con el primer uso y tras cada paciente, tal y como se indica a continuación.



PRECAUCIÓN

Solamente los artículos especificados abajo pueden ser esterilizados.

- Pieza de mano de implante
- Micromotor con cable de motor
- Soporte para la pieza de mano
- Boquilla de irrigación interna
- Soporte del tubo
- Soporte de la boquilla
- Enchufe de Protección
- Fresa de calibración

*Esterilización con autoclave

- 1) Retire la sangre y los desechos de la pieza de mano.
- 2) Limpie el interior de la pieza de mano utilizando un lubricante en spray.
- 3) Sitúelos en el estuche de autoclave (no incluido en el paquete) y séllelo.
- 4) Esterilizable en la autoclave a un máximo de 135 °C.
ej.) Esterilice con autoclave durante 20 minutos a 121 °C, o durante 3 min a 134 °C.
- 5) Mantenga la pieza de mano en el estuche de autoclave para mantenerla limpia hasta que la use.
*EN13060/EN ISO17665-1 recomienda limpieza con autoclave durante 3 minutos (tiempo de retención mínimo) a 134 °C o 15 minutos (tiempo de retención mínimo) a 121 °C.
NSK recomienda la esterilización de la clase B.



PRECAUCIÓN

- Limpie y lubrique la pieza de mano antes de esterilizarla con autoclave. La esterilización con autoclave de una pieza de mano manchada con sangre o restos podría dañarla.
- No lubrique el micromotor.
- No desconecte el cable de motor del micromotor.
- El tubo de riego es de un único uso y no puede esterilizarse con autoclave.
- No le recomendamos que esterilice en una esterilización de plasma o esterilización de EOG.

12. Accesorios opcionales

A continuación se enumeran los contra-ángulos que se deben utilizar con el micromotor Surgic Pro para garantizar la alta precisión del torque.

Réferéncia	Descripción	Observaciones
C1003	X-SG20L	Pieza de mano con ÓPTICA .
C1010	SG20	Pieza de mano sin ÓPTICA.
C1068	X-DSG20L	Pieza de mano con ÓPTICA cuyo cabezal puede desmontarse.
C1067	X-DSG20	Pieza de mano sin ÓPTICA cuyo cabezal puede desmontarse.
C1076	X-DSG20Lh	Pieza de mano con ÓPTICA cuyo cabezal y cuya fresa dental hexagonal pueden desmontarse.
C1075	X-DSG20h	Pieza de mano sin ÓPTICA cuyo cabezal y cuya fresa dental hexagonal pueden desmontarse.

Réferéncia	Descripción	Observaciones
C823752	Conector Y	Utilizado para la conexión de irrigación interna y externa de refrigerante.
Y900113	Tubo de irrigación (Paquete de 5)	Para usar en el cambio de tubo.
20000396	Soporte de la boquilla (X-SG20L)	Suministrada como artículos accesorios estándar.
20000357	Soporte de la boquilla (SG20L)	
10000324	Boquilla de irrigación interna	Suministrado como accesorio estándar.
Y900083	Soporte del tubo	Suministrado como accesorios estándar para boquilla de irrigación.
Z182100	PANA SPRAY Plus	Para piezas de mano de alta y baja velocidad.

13. Características técnicas

(Unidad de control)

Modelo	Surgic Pro+ (Con USB) Surgic Pro (Sin USB)
Tipo	NE250 (Con USB) NE294 (Sin USB)
Voltaje de suministro de potencia	AC120/230V
Frecuencia	50/60Hz
Consumo de potencia	40VA
Salida máxima de bomba	75ml/min
Dimensiones	W265xD220xH100mm

(Micromotor)

Modelo	SGL70M	SG70M
Tipo	E1023	E1025
Rango de velocidad	200 – 40.000 min ⁻¹	
Voltaje de entrada	DC24V	
Dimensiones	Ø23,5xL103,3mm (Sin cable)	
Longitud de código	2m	
Óptica	LED blanco	–

(Pedal de control)

Modelo	FC-78
Longitud de código	2m

14. Eliminación del producto

Consulte a su distribuidor sobre la forma de desecharlo.

15. Símbolos



TUV Rhineland of North America es un laboratorio de ensayo reconocido a nivel nacional (NRTL) en EE.UU., y está acreditado por el Consejo canadiense de normas para certificar productos electro-médicos, de acuerdo con las normas nacionales canadienses.



Este producto ha sido diseñado, no para ser una fuente de ignición en el aire y gas anestésico inflamable.



Se ha aplicado la directiva de la UE 93/42/CEE en el diseño y producción de este dispositivo médico.



Protegido contra los efectos de la inmersión continua en polvo y agua.



Deseche este dispositivo y sus accesorios utilizando los métodos aprobados para dispositivos electrónicos, de acuerdo con la directiva 2012/19/EU.



Pieza aplicada de tipo BF



Consultar el Manual de usuario



Marcas sobre la parte externa de las piezas del equipo que incluye transmisores RF o que aplica la energía electromagnética RF para diagnóstico o tratamiento.

16. Información de Compatibilidad Electromagnética (EMC)

Guía y declaración del fabricante – Emisiones Electromagnéticas

Surgic Pro series ha sido diseñado para su uso en el entorno electromagnético definido a continuación. El cliente o el usuario de Surgic Pro series debe asegurarse de que se use en este tipo de entorno. Guía y declaración del fabricante de emisiones electromagnéticas.


Prueba de emisiones	Cumplimiento	Guía de Entorno Electromagnético
Emisiones de rf CISPR11/EN55011	Grupo 1	Surgic Pro series utiliza la energía de RF sólo para su función interna. Por lo tanto, sus emisiones de rf son muy bajas y no pueden causar ninguna interferencia en el equipamiento circundante.
Emisiones de rf CISPR11/EN55011	Clase B	Surgic Pro series es apropiado para su uso en todos los establecimientos, incluidos los establecimientos domésticos y aquellos directamente conectados a la red pública de suministro de potencia de bajo voltaje proporcionada en edificios con fines domésticos.
Emisiones armónicas IEC/EN61000-3-2	Clase A	
Fluctuaciones de voltaje/ emisiones scilantes IEC/EN61000-3-3	Cumple	

Guía y declaración del fabricante – Inmunidad electromagnética

Surgic Pro series ha sido diseñado para su uso en el entorno electromagnético definido a continuación. El cliente o el usuario de Surgic Pro series debe asegurarse de que se use en este tipo de entorno.

Prueba de inmunidad	Prueba de nivel IEC/EN60601	Nivel de cumplimiento	Entorno electromagnético - guía
Descarga electrostática (ESD) IEC/EN61000-4-2	Contacto kV \pm (2, 4) 6 Aire kV \pm (2, 4) 8	Contacto kV \pm (2, 4) 6 Aire kV \pm (2, 4) 8	El suelo no debería ser de madera, hormigón ni baldosa cerámica. Si los suelos se cubren con material sintético, la humedad relativa debería ser, al menos, de un 30%.
Ráfaga de impulsos/ transiente rápido eléctrico IEC/EN61000-4-4	\pm 2kV para las líneas de suministro de potencia \pm 1kV para las líneas de entrada/ salida	\pm 2kV para las líneas de suministro de potencia \pm 1kV para las líneas de entrada/ salida	La calidad de la potencia eléctrica debería ser aquella de un entorno comercial u hospitalario convencional.
Sobretensión IEC/EN61000-4-5	Modo diferencial \pm 1kV Modo común \pm 2kV	Modo diferencial \pm 1kV Modo común \pm 2kV	La calidad de la potencia eléctrica debería ser aquella de un entorno comercial u hospitalario convencional.
Descenso de voltaje, interrupciones breves y variaciones de voltaje en las líneas de entrada del suministro eléctrico. IEC/EN61000-4-11	<5% Ut (>95% descenso en Ut) Para ciclo de 0,5 40% Ut (60% descenso en Ut) Para 5 ciclos 70% Ut (30% descenso en Ut) Para 25 ciclos <5% Ut (>95% descenso en Ut) durante 5 seg	<5% Ut (>95% descenso en Ut) Para ciclo de 0,5 40% Ut (60% descenso en Ut) Para 5 ciclos 70% Ut (30% descenso en Ut) Para 25 ciclos <5% Ut (>95% descenso en Ut) durante 5 seg	La calidad de la potencia eléctrica debería ser aquella de un entorno comercial u hospitalario convencional. Si el usuario de Surgic Pro series requiere un funcionamiento continuo durante las interrupciones de potencia eléctrica, se recomienda que el Surgic Pro series cuente con una batería o corriente eléctrica ininterrumpida.
Frecuencia de potencia (50/60Hz) campo magnético IEC/EN61000-4-8	3A/m	3A/m	La frecuencia de potencia de los campos magnéticos debería estar a los niveles característicos de una ubicación convencional en un entorno comercial u hospitalario.

NOTA: "Ut" es el voltaje de la red CA antes de la aplicación del nivel de prueba.

Guía y declaración del fabricante – inmunidad electromagnética			
Surgic Pro series ha sido diseñado para su uso en el entorno electromagnético definido a continuación. El cliente o el usuario de Surgic Pro series debe asegurarse de que se use en este tipo de entorno.			
Prueba de inmunidad	Prueba de nivel CEI60601	Nivel de cumplimiento	Entorno electromagnético-guía
RF IEC/EN61000-4-6 conducido	3V rms 150 kHz a 80MHz	3V rms	<p>El equipamiento de comunicaciones portátil y móvil RF debería utilizarse a una distancia de cualquier pieza del Surgic Pro series, incluidos cables, superior a la distancia de separación calculada por la ecuación aplicable para la frecuencia del transmisor.</p> <p>Distancia de separación recomendada</p> $d = 1,2\sqrt{P}$ $d = 1,2\sqrt{P} \quad 80\text{MHz a } 800\text{MHz}$ $d = 2,3\sqrt{P} \quad 800\text{MHz a } 2,5\text{GHz}$ <p>Donde P es el índice máximo de potencia del transmisor en vatios (W), según el fabricante del transmisor y (d) es la distancia de separación recomendada en metros (m).</p> <p>Las fuerzas de campo de transmisores fijos rf, tal y como lo determina la investigación de un sitio electromagnético, deberían ser inferiores al nivel de cumplimiento en cada rango de frecuencia(b).</p> <p>Puede producirse una interferencia cerca del equipamiento marcado con el siguiente símbolo:</p> 
RF IEC/EN61000-4-3 radiado	3V/m 80MHz a 2,5 GHz	3V/m	
NOTA1 A 80 MHz y 800 MHz, será de aplicación el rango de frecuencia más elevado.			
NOTA2 Estas directrices no serán de aplicación para todas las situaciones. La propagación electromagnética se ve afectada por la absorción y reflexión de estructuras, objetos y personas.			
<p>a En teoría, las fuerzas de campo de transmisores fijos, como estaciones de base de teléfonos de radio (celular/ inalámbrica) y radios móviles terrestres, radioaficionados, programas de radio AM y FM y programas de televisión no pueden predecirse con precisión. Para evaluar el entorno electromagnético debido a transmisores fijos rf, se debe considerar una investigación electromagnética del sitio. Si la fuerza de campo medida en la ubicación en la que se usa Surgic Pro series supera el nivel de cumplimiento aplicable RF anterior, deberá observarse si el Surgic Pro series funciona normalmente. En caso de observar un rendimiento anormal, será necesario aplicar unas medidas adicionales, como la reorientación o reubicación del Surgic Pro series.</p> <p>b Por encima del rango de frecuencia de 150kHz a 80MHz, la fuerza del campo debería ser inferior a 3V/m.</p>			

Cables y accesorios	Longitud máxima	Plástico apantallado	Cumple con
Micromotor con cable de motor	2,0M	no apantallado	Emisiones de rf, CISPR11, Clase B/ Grupo 1
Pedal de control con cable	2,0M	no apantallado	Emisiones armónicas: IEC61000-3-2/EN61000-3-2
Cable eléctrico ca	2,0M	no apantallado	Fluctuaciones de voltaje/emisiones oscilantes: IEC61000-3-3/EN61000-3-3
			Descarga electrostática (ESD): IEC61000-4-2/EN61000-4-2
			Ráfaga de impulsos/transiente rápido eléctrico: IEC61000-4-4/EN61000-4-4
			Sobretensión: IEC61000-4-5/EN61000-4-5
			Descenso de voltaje, interrupciones breves y variaciones de voltaje en las líneas de entrada del suministro eléctrico: IEC61000-4-11/EN61000-4-11
			Frecuencia de potencia (50/60Hz) del campo magnético: IEC61000-4-8/EN61000-4-8
			RF conducido: IEC61000-4-6/EN61000-4-6
			RF radiado: IEC61000-4-3/EN61000-4-3

Distancias de separación recomendadas entre el equipamiento de comunicación portátil y móvil RF y Surgic Pro series.			
El Surgic Pro series ha sido diseñado para su uso en un entorno electromagnético en el que se controlen las alteraciones radiadas RF. El cliente o el usuario de Surgic Pro series puede ayudar a prevenir las interferencias electromagnéticas manteniendo una distancia mínima entre el equipamiento de comunicación portátil y móvil RF (transmisores) y Surgic Pro series.			
Índice de potencia de salida máxima del transmisor W	Distancia de separación según la frecuencia del transmisor m		
	150kHz a 80MHz $d=1,2\sqrt{P}$	80MHz a 800MHz $d=1,2\sqrt{P}$	800MHz a 2.5GHz $d=2,3\sqrt{P}$
0,01	0,12	0,12	0,23
0,1	0,38	0,38	0,73
1	1,2	1,2	2,3
10	3,8	3,8	7,3
100	12	12	23
Para transmisores con un índice de potencia máximo no incluido anteriormente, la distancia de separación recomendada "d" en metros (m) puede estimarse usando la ecuación aplicable a la frecuencia del transmisor, donde "P" es el índice de potencia de salida máximo del transmisor en vatios (W), según el fabricante del transmisor.			
NOTA1 A 80 MHz y 800 MHz, se aplicará la distancia de separación para el rango de frecuencia máximo.			
NOTA2 Estas directrices no serán de aplicación para todas las situaciones. La propagación electromagnética se ve afectada por la absorción y reflexión de estructuras, objetos y personas.			

Surgic Pro

Obrigado por adquirir a unidade cirúrgica NSK Surgic Pro Series.

Recomendamos que antes da utilização leia atentamente as Instruções de Utilização, o método de manuseamento ou a comprovação de manutenção para continuar a usar a unidade futuramente. Da mesma forma, guarde este Manual do Utilizador num local onde possa ser consultado em qualquer altura.



◆ Finalidade

O Surgic Pro Series foi concebido para ser utilizado em cirurgia dentária oral e em procedimentos cirúrgicos por pessoal qualificado.

Índice

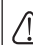

1. Advertências de segurança antes da utilização	70
2. Conteúdo da embalagem	72
3. Unidade de controlo e Controlador de pedal	73
4. Instalação	75
5. Configuração	79
6. Operação	80
7. Circuito de protecção	85
8. Códigos de erro e Localização de avarias	85
9. Substituição do fusível	87
10. Manutenção	88
11. Esterilização	88
12. Contra-ângulos e Acessórios opcionais	89
13. Características técnicas	89
14. Eliminação do produto	89
15. Símbolos	90
16. Informação de compatibilidade electromagnética	90

◆ Classificação do equipamento

- Tipo de protecção contra descargas eléctricas:
 - Equipamento de classe I.
- Grau de protecção contra descargas eléctricas:
 - Peça aplicada de tipo BF 
- Método de esterilização ou de desinfeção recomendado pelo fabricante:
 - Ver 11. Esterilização.
- Grau de protecção contra a entrada de água conforme descrito na edição actual da norma CEI 60529:
 - Pedal de controlo: IPX8 (Protegido contra os efeitos da imersão contínua em água).
- Grau de segurança da aplicação na presença de mistura anestésica inflamável com ar, oxigénio ou óxido nitroso:
 - Motor, pedal de controlo: equipamento de categoria AP 
- Modo de funcionamento:
 - Operação intermitente.

Precauções para a sua utilização e funcionamento

- Leia atentamente estas advertências de segurança antes de utilizar e trabalhar adequadamente com o produto.
- Estas indicações destinam-se a permitir uma utilização segura do produto, a evitar que ocorra qualquer dano ou a colocá-lo em perigo a si ou a outras pessoas. Estas indicações são classificadas segundo o grau de perigo ou dano e gravidade. Todas as indicações são referentes à segurança; certifique-se de que as respeita.

Classificação	Grau de Perigo ou Dano e Gravidade
 A T E N Ç Ã O	Explica uma instrução com a qual é necessário cuidado já que há possibilidade de ocorrência de ferimentos pessoais ou danos físicos.
 C U I D A D O	Explica uma instrução com a qual é necessário cuidado já que há a possibilidade média de ocorrência de ferimentos pessoais ou de danos físicos.
I M P O R T A N T E	Explica uma instrução que deve ser observada por razões de segurança.

1. Advertências de segurança antes da utilização

Leia atentamente o Manual de Utilização da peça manual antes de a utilizar.

ATENÇÃO

- Para EVITAR UMA DESCARGA ELÉCTRICA, NÃO desligue o cabo CA com as mãos húmidas.
- Certifique-se de que evita a entrada de água na unidade de controlo já que tal poderia provocar um curto-circuito e uma descarga eléctrica.
- Utilize uma tomada eléctrica com ligação à terra. Pode sofrer uma descarga eléctrica se não a utilizar.
- O sistema pode apresentar uma possibilidade de funcionamento incorrecto quando for utilizado na presença de uma onda de interferência electromagnética. Não instale o sistema próximo de um dispositivo que emita ondas magnéticas. Desligue o interruptor de potência da unidade de controlo do sistema quando for utilizado um dispositivo de oscilação ultra-sónica ou quando uma ponta de eléctrodo estiver próximo.

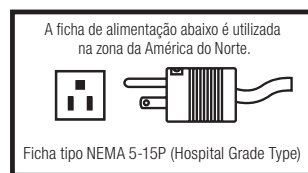
CUIDADO

- A precisão do indicador da velocidade depende, de forma decisiva, do rendimento de alta precisão da peça manual/ contra-ângulo montado no micromotor. Para garantir a exactidão do binário mostrado no ecrã, utilize UNICAMENTE os contra-ângulos NSK que constam na secção 12. Contra-ângulos e Acessórios opcionais. Se houver outra peça manual acoplada, pode ocorrer que o binário resultante não corresponda ao indicado na peça manual.
- O Surgic Pro Series requer precauções especiais para EMC e necessita de ser instalado e colocado em funcionamento de acordo com a informação EMC. (Consulte a secção 16. Informação EMC.)
- Um equipamento de comunicações RF móveis e portáteis pode afectar o Surgic Pro Series. Não utilize o equipamento RF na proximidade do produto.
- A utilização de acessórios, motores e cabos diferentes dos especificados, com a excepção de motores e cabos vendidos pelo fabricante do Surgic Pro Series, como peças sobresselentes para componentes internos, pode provocar um aumento das EMISSÕES e uma diminuição da IMUNIDADE da unidade de controlo.
- O Surgic Pro Series não deve ser utilizado próximo ou sobre outro equipamento e, se a utilização próximo ou empilhado for necessária, a Unidade de Controlo deverá ser observada para comprovar o funcionamento normal na configuração usada.
- Quando utilizar este sistema, pense sempre na segurança do paciente.
- Não tente desmontar a unidade de controlo, o pedal de controlo, o micromotor nem modificar o seu mecanismo.
- Verifique a vibração, o ruído e o sobreaquecimento antes da utilização. Se ocorrer alguma anormalidade, suspenda a utilização imediatamente e contacte o seu distribuidor.
- Utilize uma tomada com ligação à terra.

- Não arremesse, golpeie ou submeta a unidade a um impacto excessivo.
- Não dobre o tubo de irrigação enquanto a bomba de água estiver em funcionamento. Isto pode provocar a ruptura do tubo.
- Não utilize brocas dobradas, danificadas ou não originais. A broca pode dobrar-se ou quebrar-se.
- Não ultrapasse a velocidade recomendada.
- Depois de cada utilização certifique-se de que lubrifica e esteriliza a peça manual mal esteja limpa. A coagulação sanguínea pode provocar oxidação. No entanto, não lubrifique o micromotor. O óleo pode produzir um calor excessivo e provocar danos.
- A unidade de controlo pode ser limpa com um pano húmido. Desligue a corrente eléctrica antes da limpeza. A unidade de controlo e o pedal de controlo não podem ser esterilizados.
- Quando o produto for utilizado com muita frequência, considere a manutenção de um pequeno stock de peças sobresselentes.
- Não desligue o cabo de motor do motor.
- Não limpe, esfregue ou mergulhe o aparelho em água muito ácida nem em soluções esterilizantes.
- Quanto ao tempo de funcionamento do motor e da peça manual, siga a tabela que aparece mais abaixo. Uma utilização contínua durante um período prolongado com um binário elevado pode produzir o sobreaquecimento da peça manual, o que, por sua vez, pode provocar um acidente.
- Os acessórios utilizados no paciente e/ou pelo especialista são a peça manual.
- Não fixe os olhos na luz LED.
- Se ocorrer alguma anormalidade no LED (escuro, sem iluminação ou intermitência), suspenda imediatamente a utilização e entre em contacto com o seu distribuidor.
- Se o micromotor for utilizado com a luz ligada ON de forma contínua durante mais de 3 minutos, o motor aquecerá. (A temperatura de superfície máxima pode atingir os 45 °C nesta situação). Se isto ocorrer, suspenda a utilização do micromotor até que a peça com luz arrefeça ou utilize o micromotor sem acender a luz.
- Só é possível conseguir uma ligação à terra segura quando o equipamento estiver ligado a uma tomada marcada como "Hospital Only" ou "Hospital Grade".
- Para maior segurança, instale a unidade de controlo num local onde o cabo de alimentação CA possa ser retirado facilmente. (É possível desligar a unidade de controlo da fonte de alimentação retirando o cabo de alimentação CA.)

Modo de funcionamento

Operação intermitente	
ON	OFF
3 min	10 min



IMPORTANTE

- Desligue o interruptor de potência depois de cada utilização.
- Para obter indicações de assistência e peças sobresselentes, entre em contacto com o seu distribuidor.
- É recomendada a utilização do kit de tubo de irrigação descartável original da NSK, previamente esterilizado.
- O tempo total de gravação é de cerca de 100 minutos.
- Não introduza uma memória USB durante a operação.
- Não retire a memória USB enquanto a luz estiver acesa ou intermitente.
- Não utilize os dados armazenados na memória USB com fins de diagnóstico.
- Não utilize uma memória USB diferente de USB 2.0.
- Não é garantido que este dispositivo funcione com todas as memórias USB. É possível não funcionar com uma USB com funções de segurança ou que precise de uma grande quantidade de electricidade.

	Temperatura	Humidade	Pressão atmosférica
Utilização	Entre 0-40 °C (32-104 °F)	Entre 10-85% RH	Entre 700-1060 hPa
Armazenamento (Transporte)	Entre -10-50 °C (14-122 °F)	Entre 10-85% RH	Entre 500-1060 hPa

Sem condensação de humidade na unidade de controlo.

A utilização fora destes limites pode provocar um funcionamento incorrecto.

2. Conteúdo da embalagem



*A figura mostra o motor óptico, a peça manual óptica

Item N.º	Descrição	Quantidade
①	Cabo eléctrico CA (2 m)	1
②	Controlador de pedal com cabo (2 m)	1
③	Unidade de controlo	1
④	Tubo de irrigação	5
⑤	Poste de suporte da solução refrigerante	1
⑥	Peça manual óptica/ peça manual não óptica*	1
⑦	Motor óptico/ motor não óptico (Com cabo de motor)*	1
⑧	Conector Y	1
⑨	Fusível sobresselente	2
⑩	Suporte do tubo	7

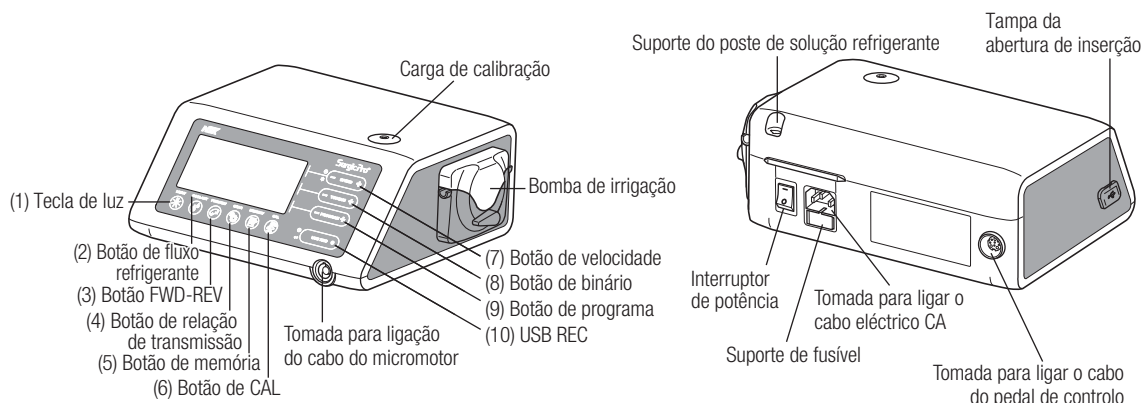
Item N.º	Descrição	Quantidade
⑪	Suporte para a peça manual	1
⑫	Bocal de irrigação interna	1
⑬	Suporte do bocal	1
⑭	Cabo de limpeza	1
⑮	Broca de calibração	1
⑯	Canula de lubrificação do tipo E	1
⑰	Ficha de protecção	1
⑱	Junta tórica (Ficha de Protecção)	2
⑲	Junta tórica (Motor)	2

*A peça manual e a peça manual dependente serão ligadas de forma apropriada.

*Uma das peças manuais/ motor deve ser embalada.

*USB não incluída.

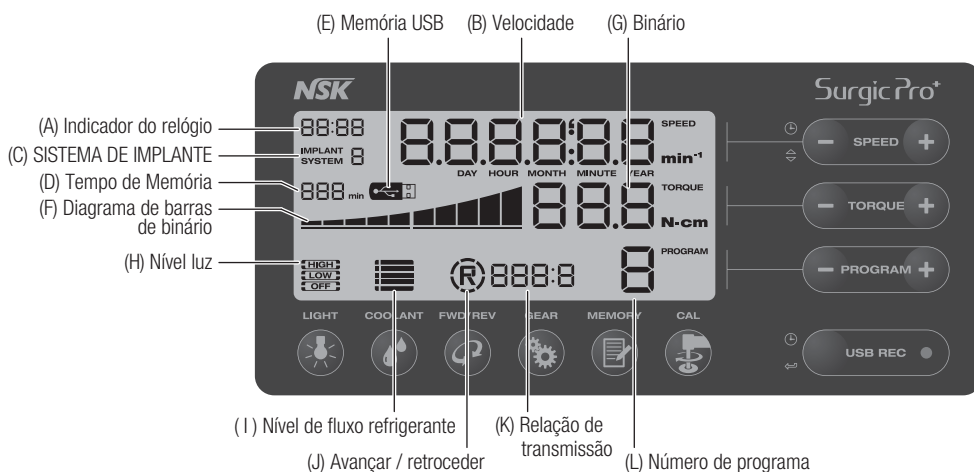
3. Unidade de controlo e controlador de pedal



3-1 Botões na unidade de controlo

- (1) Tecla de luz
Selecione o nível de luz. (OFF -> LOW -> HIGH). Repita a premência da tecla para passar pelos níveis de luz. (Por defeito: HIGH).
- (2) Botão de fluxo refrigerante:
Utilize-o para seleccionar os 6 níveis de caudal de solução refrigerante de 0 a 5. Volte a carregar no botão para alternar entre os diferentes níveis de fluxo refrigerante.
- (3) Botão FWD-REV:
Utilize-o para seleccionar o sentido de rotação. Carregue neste botão uma vez para mudar o sentido de rotação. (Quando estiver em modo de retrocesso, a Unidade de controlo alerta de forma sonora com um som agudo).
- (4) Botão da relação de transmissão:
Utilize-o para configurar a relação de transmissão da peça manual ligada antes da sua utilização. Torne a carregar neste botão até que o ecrã LCD indique a relação de transmissão correcta da peça manual.
- (5) Botão de memória:
Utilize-o para memorizar os parâmetros de programa configurados pelo utilizador. Prima e mantenha premido este botão durante aproximadamente 1 segundo para memorizar os parâmetros. Quando soar um som agudo, os parâmetros do novo programa terão sido memorizados.
- (6) Botão de CAL:
Serve para activar o ciclo da calibração da peça manual antes da utilização.
- (7) Botão de velocidade:
Utilize-o para configurar a velocidade do micromotor. Prima o botão (+) para aumentar e (-) para diminuir a velocidade. (Quando forem atingidos os limites superior e inferior, soará um som agudo de alarme.)
- (8) Botão de binário:
Utilize-o para configurar o intervalo do binário. Prima o botão (+) para aumentar e (-) para diminuir o intervalo do binário. (Quando forem alcançados os limites superior e inferior do intervalo do binário, soará um som agudo de alarme.) A configuração do intervalo do binário será seleccionada em função da relação de transmissão do acessório da peça manual.
- (9) Botão de programa:
Utilize-o para alternar entre os programas disponíveis. Prima o botão (+) para aumentar e (-) para diminuir o número de programa. Encontrará todos os números de programa, de forma sequencial, carregando nos botões.
- (10) USB REC (Unicamente Surgic Pro+)
Prima esta tecla para registar a operação positiva do Surgic Series na memória USB. Uma premência breve guardará os dados memorizados na memória USB. Uma premência longa (aproximadamente 2 segundos) apagará os dados guardados na memória da Unidade de controlo.

3-2 Ecrã LCD da consola da Unidade de controlo



(A) Indicador do relógio (Unicamente Surgic Pro+)

Visor do relógio. É mostrado o tempo utilizando baterias instaladas na Unidade de controlo.

(B) Velocidade

Apresenta a velocidade seleccionada ao carregar no pedal de controlo da velocidade de rotação do motor mostrada no ecrã LCD. (Assumindo que tenha sido seleccionada a relação de transmissão correcta.) Sem carregar no pedal de controlo, é mostrada a configuração pré-estabelecida de rotação máxima no ecrã LCD. A velocidade de rotação é mostrada durante a rotação. Quando a rotação pára, é visualizado o conjunto da velocidade de rotação máxima. A velocidade do pedal de controlo varia dependendo da pressão do pé.

(C) SISTEMA DE IMPLANTE

É mostrado o número do sistema de implante utilizado: 1 a 8.

(D) Tempo de memória (Unicamente Surgic Pro+)

É mostrado o tempo restante de memória (Remain Time).

(E) Memória USB (Unicamente Surgic Pro+)

Quando introduzida, a memória USB é visualizada no ecrã LCD.

(F) Diagrama de barras de binário

Mostra o intervalo real do binário de funcionamento. Quando todas as barras estiverem iluminadas, o binário de funcionamento está no máximo. Quando metade das barras estiverem iluminadas, então o binário de funcionamento é aproximadamente 50% em relação ao binário configurado previamente.

(G) Binário

Mostra o binário seleccionado.

* Ao utilizar a relação de transmissão 1:1 ou um aumento de velocidade da peça manual, não será mostrada a torção. (Esta função é adequada para uma peça manual de redução 2:1 ou superior).

(H) Nível luz (Unicamente óptica)

Mostra o nível luz seleccionado; os níveis são ALTO, BAIXO E DESLIGADO.

(I) Nível de fluxo de refrigerante

Mostra o nível de fluxo de solução refrigerante seleccionado. O nível de fluxo seleccionado é apresentado por 5 indicadores luminosos de nível. Se não houver iluminação, o fluxo de solução refrigerante está desligado.

(J) Indicador de avançar/ retroceder

Mostra o sentido seleccionado do micromotor. Ao rodar, apresenta o símbolo de circunferência quebrada.

(K) Relação de transmissão

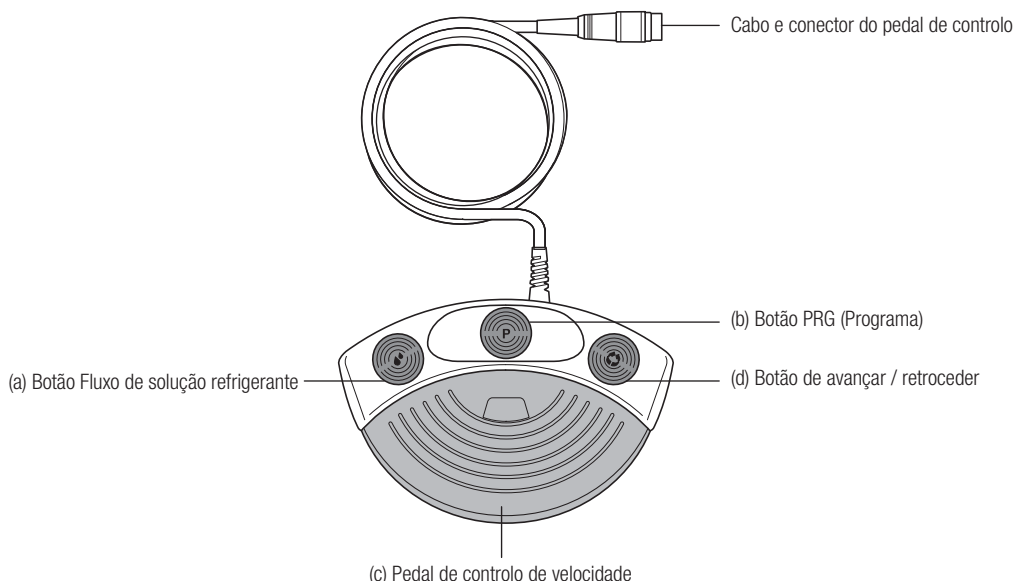
Mostra a relação de transmissão seleccionada da peça manual.

(L) Número de programa

Mostra o número de programa seleccionado.

- IMPORTANTE**
- Imediatamente depois de a fonte de alimentação ser ligada, o relógio pode apresentar "88:88.00:00", ou o ecrã LCD da tecla USB REC pode piscar, mas estas ocorrências não são falhas de funcionamento.
 - Quando a fonte de alimentação for ligada, o dispositivo voltará à sua configuração predeterminada. Para guardar uma configuração, consulte 6-1 Programação de operação de micromotor. (Por defeito: Sistema implante 1, Luz HIGH, Fluxo refrigerante 3, Rotação F, Relação de transmissão 20:1, Número de programa 1, Binário 20.Ncm, Velocidade 800 min⁻¹)
 - Depois de embalado para envio, etc., o relógio piscará em "00:00" se não tiver sido configuração. Ver 5-1 Relógio e configuração de data.
 - Quando o ecrã do relógio piscar em "- - : - - ", isto significa que as pilhas do relógio se esgotaram. Entre em contacto com o distribuidor do dispositivo.

3-3 Pedal de controlo



(a) Botão Fluxo de solução refrigerante

Utilize-o para seleccionar os 6 níveis de fluxo de solução refrigerante de 0 a 5. Cada nível pode ser aumentado carregando uma vez neste botão. Se carregar no botão no nível 5, este volta ao nível 0.

(b) Botão (Programa) PRG

Utilize-o para seleccionar o número de programa desejado. Os números de programa aumentarão sempre de cada vez que premir e soltar o botão. Para descer, prima o botão e mantenha-o premido durante 1 segundo e liberte-o.

(c) Pedal de controlo de velocidade

Utilizado para accionar e parar o micromotor e para controlar a velocidade durante o funcionamento. A velocidade de funcionamento do micromotor é directamente proporcional à posição do pedal de controlo até à velocidade máxima predefinida.

(d) Botão Avançar / Retroceder

Utilizado para mudar o sentido de rotação do micromotor: prima uma vez para mudar o sentido de rotação.

4. Instalação



CUIDADO

- Instale o cabo/ficha unicamente se a corrente estiver desligada.

4-1 Ligação do cabo de motor

Alinhe a marca [•] do cabo do micromotor com a marca [•] na unidade de controlo, introduza a base da ficha do cabo do micromotor na tomada até que a junta de fecho faça um “clique” na sua posição.

Para desligar a ficha, puxe pela junta de fecho e puxe novamente para desligar o cabo.

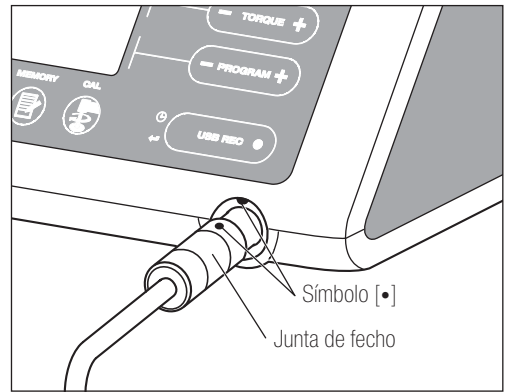


Fig.1

4-2 Ligação da peça manual



CUIDADO

- Quando utilizar o micromotor Surgic Pro com luz (SGL70M), UTILIZE UNICAMENTE contra-ângulos com luz. Os contra-ângulos sem luz não podem ser ligados com precisão ao micromotor e isto pode provocar um funcionamento incorrecto do micromotor sob carga.

- 1) Empurre a peça manual no motor tendo o cuidado de a manter alinhada.
- 2) Rode a peça manual até ficar bloqueada na sua posição fazendo um clique.

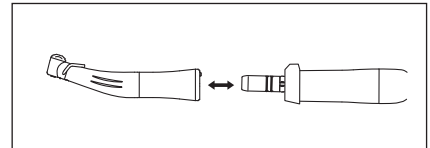


Fig.2

4-3 Ligação do pedal de controlo

Coloque o parafuso da ficha do pedal para baixo. A seguir, introduza a ficha no conector do cabo do pedal, situado na unidade de controlo. Fixe a ficha apertando a contra-porca. Consulte a Figura 3.

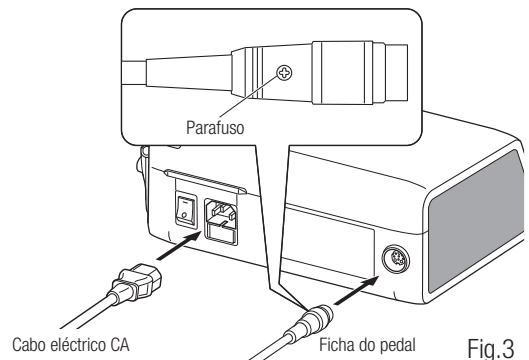


Fig.3

4-4 Ligação do cabo eléctrico CA

Alinhe correctamente e introduza o cabo eléctrico CA na ligação respectiva, situada na parte traseira da unidade de controlo. (Fig. 3)

4-5 Instalação do tubo de irrigação

Certifique-se de que a alavanca de cobertura da bomba está na posição OPEN, com o tubo de irrigação "Agulha" para a parte posterior da unidade de controlo. Posicione os encaixes do conjunto de tubo na calha de forma segura. (Fig. 4)

<Posição OPEN (aberto)>

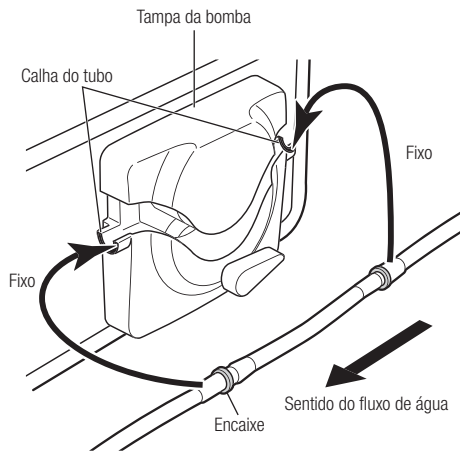
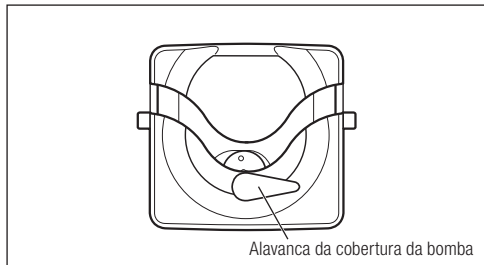
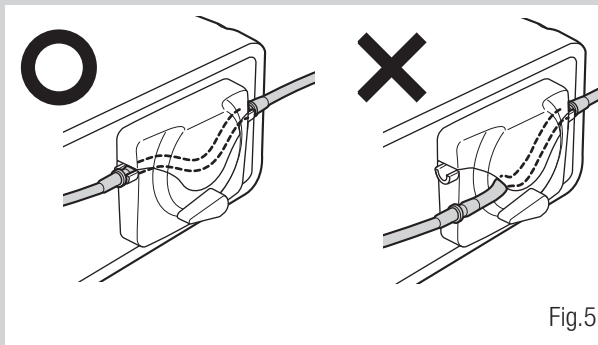


Fig.4

CUIDADO

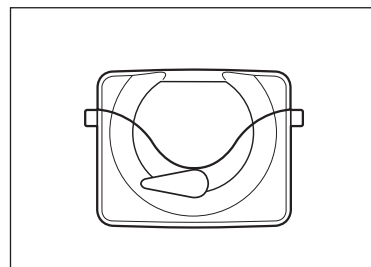
- Certifique-se de que o tubo está colocado nos rolos, de forma segura, ao fechar a tampa da bomba. Se o tubo não estiver correctamente posicionado nos rolos e a tampa for fechada, o tubo pode ficar cortado ou rasgado. (Fig.5)
- Não monte o tubo de irrigação a não ser que o paciente esteja preparado para isso.
- Isto deverá ser feito depois de ter sido desligada a fonte de alimentação do tubo de irrigação.



Depois de posicionar correctamente os tubos, feche a tampa da bomba rodando a alavanca da tampa da bomba até à posição de "Fechado" (180 graus no sentido contrário aos ponteiros do relógio). (Fig. 6)

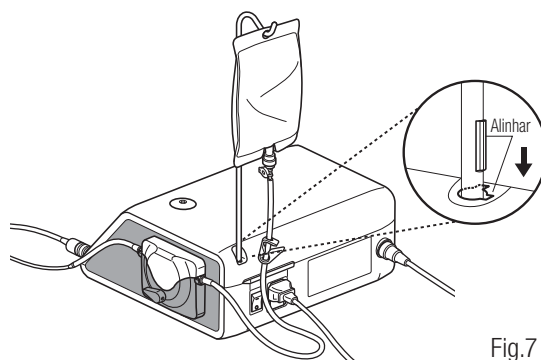
Para retirar, abra ("OPEN") a alavanca da cobertura da bomba e depois retire o tubo.

<Posição CLOSED (fechado)>



4-6 Montagem do suporte da solução de refrigerante

Monte o suporte da solução refrigerante no orifício da unidade de controlo. O suporte só será regulado numa posição. Posicione a garrafa da forma mostrada na Fig. 7.



4-7 Inserção do tubo de irrigação

- 1) Feche a válvula de passagem do tubo, entre a agulha do tubo de irrigação e a bomba de irrigação da forma mostrada na Fig. 8.
- 2) Introduza a agulha do tubo de irrigação na tampa da garrafa/saco. (Fig. 9)
- 3) Abra a tampa do tubo para introduzir ar na garrafa/saco. (Fig. 10)
- 4) Abra a válvula de passagem do tubo.

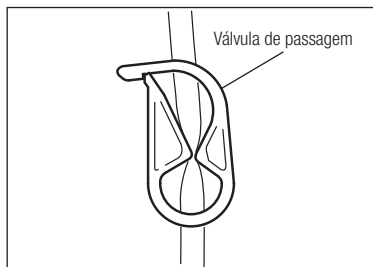


Fig.8

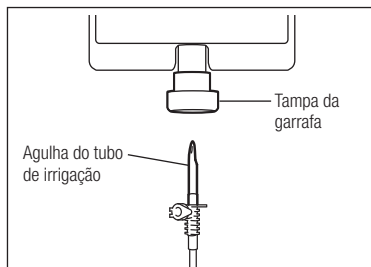


Fig.9

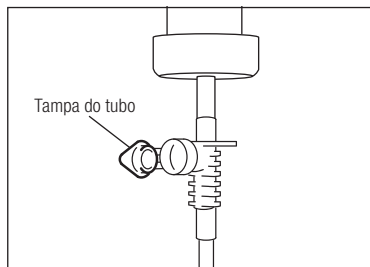


Fig.10



CUIDADO

- Não utilize a bomba de irrigação se o tubo estiver dobrado ou se a válvula estiver na posição de fechado. Isto poderia provocar a ruptura do tubo ou a saída da garrafa/saco.

4-8 Comprove a compatibilidade do bocal de irrigação interna

Os bocais de irrigação interna incluídos neste produto não se ajustam necessariamente a todas as brocas do mercado. Antes da utilização, respeite as seguintes instruções para verificar se o bocal encaixa bem. Caso contrário, o bocal de irrigação interno encaixado nas brocas pode provocar uma fuga de solução salina, o que acarretaria problemas de oxidação ou uma paragem repentina do equipamento durante a utilização.

Instruções:

- 1) Ligue uma garrafa de solução salina à unidade de controlo.
- 2) Ligue o bocal de irrigação interna na ponta do tubo de irrigação.
- 3) Introduza o bocal de irrigação interna na broca a partir da parte posterior. (Fig. 11)
- 4) Purgue o mais possível durante 5 segundos.

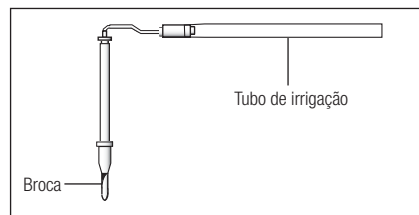


Fig.11

Pontos a comprovar:

- Limpeza da solução salina proveniente da broca: se a solução for colorida, pode haver óxido no interior da broca. Se for este o caso, substitua a broca.
- Fluxo de água: se o fluxo for baixo e/ou o fluxo da broca for assimétrico, substitua a broca.
- Não há fuga de água entre o bocal de irrigação interno e a broca.
- Antes da sua utilização, certifique-se de que não há nenhuma fuga de água no ponto de entrada do bocal de irrigação. A causa pode ser um vedante rasgado ou a ausência de vedante na broca. Substitua a broca mesmo que seja nova, pois se a solução salina entrar na peça manual pode provocar um funcionamento incorrecto.



CUIDADO

- No caso de ser detectado um funcionamento incorrecto como uma fuga de solução salina da parte posterior da peça manual durante a utilização, suspenda o funcionamento e solucione o problema.

4-9 Ligação do bocal de irrigação

O X-SG20L/SG20 conta com 3 métodos de irrigação disponíveis em função da ferramenta e da aplicação: externa, interna ou ambas. Para uma instalação detalhada, consulte o manual de utilizador da peça manual anexado.

4-10 Ligação do suporte do tubo

Utilize o cabo de motor como fixação para o “tubo de irrigação”. É mais fácil introduzir, em primeiro lugar, o cabo de motor e, a seguir, o tubo de irrigação. (Fig. 12)

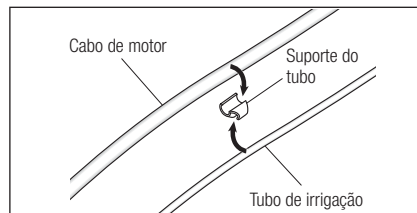


Fig.12

4-11 Memória USB (não incluída) (Unicamente Surgic Pro+)

- 1) Abra a tampa da abertura de inserção no lado da unidade de controlo.
- 2) Insira completamente a memória USB. O sinal USB aparecerá no ecrã LCD quando a memória for reconhecida pelo dispositivo. (Fig. 13)

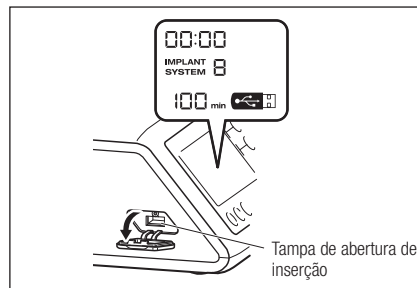


Fig.13



CUIDADO

- Não aplique impactos fortes na memória USB quando estiver ligada.
- Quando a memória USB não estiver ligada, feche a tampa da abertura de inserção.

5. Configuração

5-1 Hora e Data

Ao configurar a data e a hora, serão gravados os dados sobre o tratamento por dia. (Ver 6-5 Memória USB para aprender a guardar dados numa memória USB.)

IMPORTANTE

- Configure o relógio antes de usar este sistema.
- Se o relógio não aparecer ou for mostrado como "- : -", isto significa que as pilhas podem estar esgotadas. Contacte o seu distribuidor de dispositivo.
- O relógio funciona com um sistema de visualização de 24 horas.
- O ano pode ser seleccionado de 2010 a 2099.

- 1) Prima a tecla USB REC e SPEED (-) durante cerca de 2 segundos.
- 2) O ecrã de configuração aparecerá no ecrã LCD. As configurações podem ser realizadas por ano, mês, dia, hora e minuto, por esta ordem. Introduza os dados e prima o botão USB REC para avançar para o ponto seguinte. (O ponto que tiver seleccionado piscará.)
- 3) Modifique os números pressionando a tecla SPEED (+ -). Uma premência longa aumentará números em incrementos de 5.
- 4) Quando todos os pontos tiverem sido definidos, carregue na tecla USB REC durante 2 segundos para guardar a configuração.



CUIDADO

- Se a electricidade falhar enquanto são realizadas as configurações, as alterações não serão guardadas. Volte ao início.
- Se os dados já estiverem guardados na memória interna, não será possível configurar a data.

5-2 Configuração da iluminação (unicamente X-SG20L)

Torne a carregar na tecla LIGHT para passar pelos níveis de luz. Prima a tecla LIGHT para alterar a intensidade de iluminação. (OFF → LOW → HIGH) (Por defeito, é HIGH.) Para guardar as alterações, carregue na tecla de memória durante pelo menos 2 segundos.

IMPORTANTE

- Repita os procedimentos anteriores para restabelecer o funcionamento.
- O estado da luz permanecerá configurado mesmo se a alimentação estiver em ON e OFF.
- Esta função só pode ser aplicada para um motor óptico e peça manual.

5-3 Volume de som

É possível alterar o volume dos sons de operação e de alerta para as teclas.

- 1) Ligue a alimentação mantendo premida a tecla CAL.
- 2) Ao ligar o equipamento, o volume alterna entre Alto e Baixo. (O volume predeterminado é Baixo.)
 - * O volume de som não aparece no ecrã LCD. As alterações de som real.

IMPORTANTE • As configurações serão guardadas mesmo se a alimentação estiver desligada.

5-4 Configuração de fábrica

Quando o dispositivo for ligado, este voltará à configuração de fábrica. As configurações preferenciais e programas, etc. serão apagadas, portanto certifique-se de que realiza cópias.

- 1) Ligue a unidade enquanto pressiona a tecla PROGRAM (+ -).
- 2) Aparecerá Set no ecrã LCD (também será emitido um som agudo curto). Ao carregar na tecla CAL, o dispositivo voltará à configuração de fábrica.
- 3) Aparecerá Fim no ecrã LCD (também será emitido um som agudo longo). A inicialização finaliza quando o ecrã volta à sua imagem habitual.



CUIDADO

- Mesmo quando o dispositivo volta à configuração de fábrica, os dados de data e hora não serão inicializados.

6. Operação

6-1 Programação do funcionamento do micromotor

A unidade de controlo pode memorizar 8 programas. Cada programa inclui as seguintes funções que podem ser realizadas automaticamente quando for seleccionado o respectivo número de programa.

Relação de transmissão da peça manual

Velocidade

Sentido de rotação

Limite superior de binário

Fluxo de solução refrigerante

Nível luz

Sinal de símbolo do interruptor de potência	○	I
Função	OFF	ON

- 1) Ligue a alimentação carregando no interruptor de potência [I]. Ao ligar o Sistema de implante número 1 será mostrado por defeito o número de programa 1.
- 2) Selecciona um número de programa usando o passo (a) ou o passo (b):
 - (a) Prima a tecla PROGRAM (+ -) no painel de controlo até aparecer o número de programa desejado.
 - (b) Prima o botão PRG (Programa) no pedal de controlo até aparecer o número de programa desejado.
- 3) Selecção do sentido de rotação da peça manual. Faça a selecção utilizando o passo (a) ou o passo (b):
 - (a) Prima a tecla FWD/REV no painel de controlo até aparecer o sentido desejado.
 - (b) Prima o botão de avançar / retroceder no pedal de controlo até aparecer o sentido desejado.

IMPORTANTE • Ouvirá um sinal sonoro quando aparece R no display.
 • Os sinais sonoros que se ouvem durante as rotações e quando o aparelho para não são os mesmos. Sons diferentes não indicam um mau funcionamento.

- 4) Selecção da Relação de Transmissão das peças manuais de contra-ângulo relevantes para o programa: prima a tecla GEAR para seleccionar a relação de transmissão da peça manual. (A relação manual será mostrada no ecrã LCD.)
- 5) Configure a velocidade de funcionamento máxima necessária carregando na tecla SPEED. De cada vez que carregar neste botão, o ecrã mudará para o nível de velocidade seguinte. Carregando nesta tecla durante mais de 1 segundo, a velocidade muda com maior rapidez até que o ecrã de velocidade atinge o seu limite superior ou inferior.
 - Quando a configuração de velocidade atingir o nível superior ou inferior, ouvir-se-á um som agudo e a configuração de velocidade não poderá voltar a ser alterada.
- 6) Configure o limite superior de binário carregando na tecla BINÁRIO no painel de controlo. De cada vez que carregar nesta tecla, o ecrã mudará para o nível de binário seguinte. Carregando neste botão durante mais de 1 segundo, o binário aumenta com maior rapidez para o nível seguinte até que o ecrã de Binário atinja o limite superior ou inferior.
 - Quando a configuração de binário atingir o nível superior ou inferior, ouvir-se-á um som agudo e a configuração não poderá voltar a ser alterada.
- 7) O nível de fluxo de solução refrigerante inclui 6 níveis (0-5) (0= sem fluxo refrigerante). Seleccione um volume de fluxo de solução refrigerante usando o passo (a) ou o passo (b):
 - (a) Prima a tecla COOLANT no painel de controlo até aparecer o nível de fluxo desejado.
 - (b) Prima o botão Fluxo de Solução Refrigerante no pedal de controlo até aparecer o nível de fluxo desejado.
- 8) Depois de completar os passos 2) – 7), prima e mantenha premida a tecla MEMORY até ouvir um som agudo. O som confirma que a programação foi completada. Se ouvir um som agudo curto quando carregar na tecla MEMORY pela primeira vez, ignore este som e não prima a tecla MEMORY até ouvir um som agudo longo.
 - * Repita os passos anteriores 2) - 8) para programar qualquer dos 8 programas disponíveis.

6-1-1 Função de avanço de programa

Ao alterar programas utilizando o pedal de controlo, podem ser escolhidos previamente números de programas que não estejam seleccionados.

- 1) Escolha os números de programa que deseja avançar na unidade de controlo.
- 2) Utilize a tecla SPEED (-) para mostrar a velocidade de rotação mínima.
- 3) Solte a tecla SPEED (-) e seguidamente carregue de novo. Aparece "---" no ecrã LCD.
- 4) Carregue na tecla de memória até ser emitido um som agudo (cerca de 2 segundos) para memorizar.

IMPORTANTE • É possível escolher programas ignorados utilizando a unidade de controlo.

6-2 SISTEMA DE IMPLANTE

O Surgic Pro Series pode memorizar 8 sistemas de implante diferentes. Da mesma forma, você pode programar 8 passos no número de SISTEMA que está a utilizar. Quando configurar o programa, respeite os valores recomendados pelo fabricante de implantes.

Na programação de cada sistema de implantes, é possível avançar para o nível seguinte carregando no botão PROGRAM (+) e (-) ao mesmo tempo.

6-3 Função de calibração

A resistência à rotação da peça manual depende do modelo da peça, da condição e do desgaste interno das suas engrenagens. Esta unidade de controlo integra uma função automática para reconhecer o nível de resistência da peça manual e do micromotor ligados.

- IMPORTANTE**
- Este equipamento foi concebido para conseguir a melhor precisão de calibração numa redução de 20:1. Para a calibração UTILIZE EXCLUSIVAMENTE os contra-ângulos de redução 20:1 que constam em "12. Contra-ângulos e Acessórios opcionais".
 - Não se deve calibrar uma peça manual com microsserra.
 - A calibração deve ser levada a cabo unicamente com uma peça manual NSK.

6-3-1 Preparação da calibração

- 1) Juntar a relação de transmissão (taxa de redução) 20:1 da peça manual ao motor.
- 2) Una a broca de calibração à peça manual.
- 3) Prima a tecla CAL durante cerca de 2 segundos. Ouvir-se-á um som agudo e o ecrã mudará para o modo de calibração.

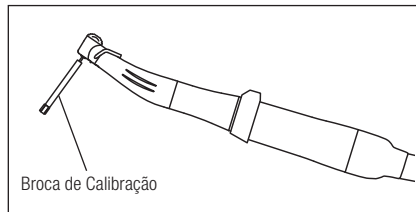


Fig.14

6-3-2 Realização da calibração

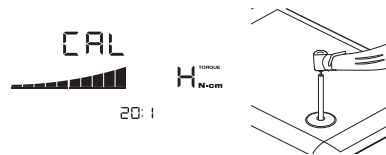


- Não aplique carga durante a calibração sem carga. Se for aplicada carga aparecerá "FAIL" no ecrã LCD e a calibração será interrompida.

- 1) Calibração sem carga ... ecrã de binário "L"
Mantenha o motor na mão e certifique-se de que L aparece no ecrã de calibração. Pressione a tecla CAL sem aplicar carga. A broca de calibração começará a rodar. A calibração ficará completa quando se ouvir um som agudo e "donE" aparecer no ecrã.



- 2) Calibração de carga ... ecrã de binário "H"
Certifique-se de que "H" aparece no ecrã de binário, una a broca de calibração no transmissor de binário. Pressione a tecla CAL (a calibração é levada a cabo enquanto é aplicada carga de binário, razão por que deve agarrar com firmeza a peça manual.) A broca de calibração começará a rodar. A calibração fica completa quando for emitido um som agudo e "donE" aparecer no ecrã.



- 3) Calibração de velocidade
Prima a tecla CAL depois de retirar do transmissor de binário e desmontar a broca de calibração. Começará a rodar a uma velocidade lenta. Depois de rodar lentamente durante 8 segundos, rodará a alta velocidade durante 8 segundos. Ouvir-se-á um som agudo quando a calibração tiver sido completada. O modo de calibração finalizará automaticamente.



- Durante o processo, a velocidade de rotação aumenta automaticamente e por fim roda a uma velocidade elevada. É preciso ter muito cuidado para evitar qualquer perigo.

Exemplo de falha de calibração

- A abrasão extrema da engrenagem e uma perda mecânica podem exceder os limites de controlo. Não podem ser obtidos dados correctos durante o ciclo de calibração, pelo que a calibração falhará. Neste caso, solicite uma reparação.
- Se irregularidades como a abrasão extrema da transmissão e a perda mecânica excederem o limite de controlo, os dados correctos não poderão ser obtidos durante a calibração. Neste caso, solicite uma reparação.
- A calibração falhará, caso a broca de calibração esteja em contacto com algo durante uma calibração sem carga ou se for aplicada uma carga incorrecta durante a calibração de carga.

6-4 Funcionamento normal

- 1) Seleccione o número de programa desejado.
Unidade de controlo: Prima PROGRAMA (+ -).
Pedal de controlo: Pise o pedal de controlo PRG (Programa). Carregando no botão PRG (Programa) durante mais um segundo descerá para o número de programa seguinte.
- 2) Pise o pedal de controlo de velocidade no centro e o micromotor começará a funcionar. A bomba de refrigerante também funcionará, se estiver programada. A velocidade aumenta à medida que se carrega no pedal. Quando carregar totalmente no pedal de controlo, a velocidade atinge o valor máximo predefinido.
- 3) Inversão do sentido de rotação do micromotor: Para inverter o sentido do micromotor (e broca) prima simplesmente o botão de avançar / retroceder do pedal de controlo. Ouvir-se-á um som agudo de advertência quando o sentido de rotação estiver no modo inverso.



CUIDADO

- Se o micromotor for usado com a luz acesa ON de forma contínua durante mais de 3 minutos, o motor irá aquecer. (A temperatura de superfície máxima pode alcançar 45 °C nesta situação.) Se isto ocorrer, deixe de utilizar o micromotor até a peça com luz arrefecer ou utilize o micromotor sem ligar a luz.
- Activação do limitador de binário: Durante a utilização, quando a carga de perfuração atingir o limite superior de binário predefinido, o limitador de binário integrado é activado automaticamente para evitar uma sobretorção. Quando o limitador de binário for activado, o motor pára depois de apitar durante 1 segundo. Para reactivar o micromotor, liberte o pedal de controlo de velocidade e volte a carregar.

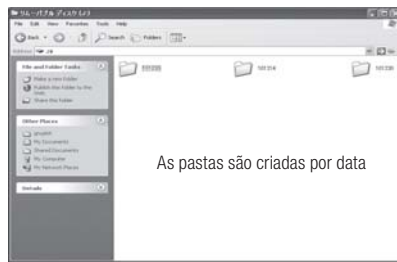
- 4) Solte o pedal de controlo e o micromotor parará automaticamente.

6-5 Memória USB (Unicamente Surgic Pro+)

IMPORTANTE • Quando o relógio não estiver configurado, a hora e a data não será registada nos dados. Recomenda-se que o relógio esteja configurado antes da utilização do dispositivo.

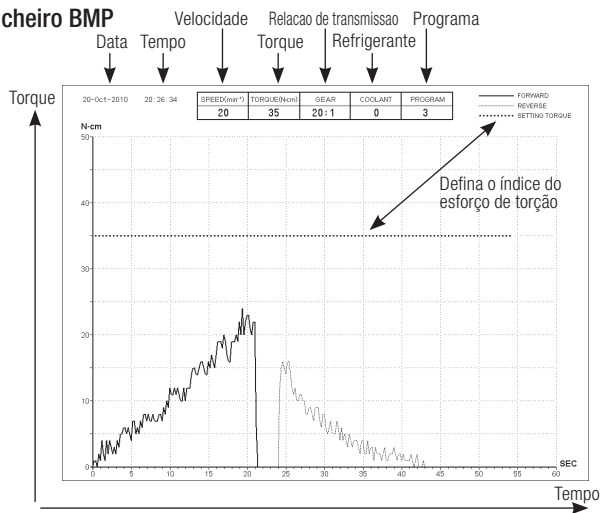
O relógio interno é utilizado juntamente com as diferentes operações deste dispositivo (data utilizada, hora de início, tempo, relação de transmissão, volume de irrigação, velocidade de rotação, FWD/REV, binário, número de programa), o que permite armazenar dados por ordem cronológica na memória USB em ficheiros CSV ou BMP. Os dados guardados podem ser visualizados num computador pessoal.

* Ficheiros e gráficos guardados



IMPORTANTE • Um ficheiro BMP só pode ser criado quando a relação de transmissão for 20:1 e o número de rotações 50 min⁻¹ ou menos.

*Ficheiro BMP



CUIDADO

- O tempo total de gravação é de cerca de 100 minutos.
- Não introduza uma memória USB durante a operação. Introduza unicamente com a finalidade de armazenar dados depois de as operações terem sido realizadas.
- Não utilize os dados armazenados na memória USB para diagnóstico.
- Não use uma memória USB que não seja USB 2.0. (A NSK verificou o tamanho da memória USB até 32 GB.)
- Não retire a memória USB enquanto o LED estiver aceso ou intermitente. (A intermitência indica que a memória USB está a comunicar com o sistema.)
- Não está garantido que este dispositivo funcione com todas as memórias USB. É possível que não funcione com memórias USB com funções de segurança ou que utilizam uma grande quantidade de electricidade.
- Não ligue ou desligue o dispositivo com a memória USB introduzida.
- Tenha o cuidado de introduzir a memória USB na direcção correcta.
- Quando um dispositivo USB não estiver ligado, feche a tampa da ficha.
- Os LED e os seus significados são os seguintes:
luz ON = a memória interna está a copiar dados, a piscar = a memória USB está a guardar dados.
- Se a alimentação estiver desligada, a memória interna será apagada. Desligue a corrente depois de guardar os dados na memória USB.

6-5-1 Memória interna

Depois de ligar a alimentação e o motor começar a rodar, a memorização será iniciada automaticamente. (Uma memória USB não precisa de estar ligada.)

6-5-2 Transmissão de dados guardados

- 1) Introduza a memória USB. (Quando o sistema a reconhecer, aparecerá o ícone de memória USB no ecrã LCD.)
- 2) Prima o botão REC da memória USB para copiar os dados guardados na memória USB. (Durante o processo de cópia de dados, a luz do botão REC permanecerá acesa.)

IMPORTANTE

- Distingão do sentido de rotação e do binário seleccionado utilizando tipos de linha.
- Enquanto estiver em funcionamento (memorização), REC permanecerá aceso no ecrã LCD da memória USB. Decorridos aproximadamente 10 segundos de ter deixado de funcionar, a luz do ecrã LCD apagar-se-á e o processo de memorização parará temporariamente (o contador também parará temporariamente).

6-5-3 Reinício

Carregue na tecla USB REC durante pelo menos 2 segundos. O tempo de gravação restante será repostado depois de terminar o som agudo. (Tempo inicializado: 100 min.)

7. Circuito de protecção

Um circuito electrónico funciona automaticamente para proteger o micromotor e a unidade de controlo no caso de o micromotor estar sobrecarregado. O fornecimento de potência ao micromotor parará automaticamente mostrando um código de erro na unidade de controlo.

Quando o binário ultrapassar os valores definidos, "SAFE" aparecerá no ecrã LCD e o dispositivo parará.

*Colocação a zero do circuito de protecção:

Para pôr a zero o circuito de protecção, solte e pressione o pedal de controlo de velocidade.

8. Códigos de erro e localização de avarias

No caso de ocorrer um problema de funcionamento, o ecrã LCD mostrará um código de erro que permite o diagnostico imediato do problema. Quando ocorre um erro imite um sinal sonoro e um código de erro aparecerá no ecrã LCD. O código de erro pisca até que o erro seja resolvido. O USB REC LCD acenderá durante 10 segundos. Solte e, depois, pressione o Pedal de controlo para efetuar novamente uma verificação de erros. Se não for detetado qualquer problema, o erro é cancelado e as operações podem continuar.

Código de erro	Modo de erro	Causa do erro	Resolução
E0	Erro do sistema.	Falha de memória. (Surgic Pro +) - Memória incorrecta. (Sem USB) - Foi ligado um USB diferente do tipo definido. (rato, impressora, etc.)	Requer reparação. Confirme os equipamentos ligados.

E1	Corrente excessiva detectada.	Utilização prolongada sob carga forte. Curto-circuito no micromotor.	O contacto eléctrico pode ser insuficiente. Volte a ligar, com segurança, o cabo de motor. Quando não conseguir eliminar um erro, solicite uma reparação.
E2	Tensão excessiva detectada.	Avaria no cabo do micromotor.	
E3	Erro do sensor do motor.	Avaria no sensor do micromotor. (Hall IC) Avaria no cabo do micromotor.	
		Entrada de água no motor.	Requer reparação. Certifique-se que usa uma ficha de autoclave ao esterilizar com autoclave.
E4	Unidade de controlo interior. Erro de sobreaquecimento.	Sobreaquecimento por uso prolongado em carga forte. Funcionamento da unidade de controlo a uma temperatura extremamente elevada.	Deixe arrefecer antes da utilização. Como o calor irradia, a periferia da unidade de controlo central deve ser ventilada correctamente sempre que possível. Quando não conseguir eliminar um erro, solicite uma reparação.
E5	Erro de curvatura.	Tensão anormal gerada no circuito de accionamento/ paragem. Avaria no circuito de accionamento/paragem.	Quando a rotação e a paragem se repetirem com intervalos curtos, é possível que tenha sido activado um circuito que limita a aceleração no início. Espere uns segundos e volte a utilizar. Quando não conseguir eliminar um erro, solicite uma reparação.
E6	Erro de avaria de rotação do motor.	Avaria no acessório da peça manual. Avaria do micromotor.	O mandril pode estar aberto ou não estar bem fechado. Feche o mandril de forma segura. Quando não conseguir eliminar um erro, solicite uma reparação.
E7	Tensão excessiva da bomba.	O tubo de irrigação foi instalado incorrectamente e sobrecarrega o rolo da bomba. A bomba avaria.	Verifique o tubo de irrigação. Se aparecer um código de erro mesmo quando o tubo de irrigação estiver normal, solicite uma reparação.
E8	Corrente excessiva da bomba.		
E9	Anormalidade do pedal de controlo.	Avaria de ligação da ficha. Avaria no interior do pedal de controlo.	Verifique o estado de ligação da ficha. Se aparecer um causa do erro mesmo quando a ficha estiver ligada de forma normal, solicite uma reparação.
E10	Tensão excessiva da lâmpada. (Motor óptico)	Avaria de circuito da luz.	Requer reparação.
E11	Corrente excessiva da lâmpada. (Motor óptico)	Verifique se a solução salina penetrou na lâmpada do motor.	Retire completamente a solução salina.
		Avaria de circuito da luz.	Requer reparação.

Erros relacionados com a função USB (Apresentados no indicador "Tempo de memória")

Código de erro	Causa do erro	Resolução
UE0	Um USB diferente do tipo estipulado está ligado. ("EO" será mostrado no ecrã VELOCIDADE)	Ligue o tipo de memória USB adequado.
UE1	Erro de circuito do módulo de memória USB.	Contacte o distribuidor do dispositivo.
UE2	Os dados não podem ser guardados na memória USB por uma das seguintes razões: <ul style="list-style-type: none"> Falta de memória disponível em USB. Utilização de uma porta USB onde a cópia é proibida. Nome de ficheiro já existente. Outro erro relacionado com a memória USB. 	<ul style="list-style-type: none"> Substitua a memória USB. Remova o bloqueio que impede a cópia. Mude o nome do ficheiro. Leia as instruções para a utilização da memória USB.

Erro	Causa do erro	Resolução
O ecrã está em branco.	A ficha da fonte de alimentação não está bem inserida.	Verifique se a ficha se encontra no interior.
	Fusível queimado.	Substitua o fusível.
	Funcionamento incorrecto do interruptor de activação.	Requer reparação.
O ecrã de número de rotação é "-" e os números são mostrados e alternados.	A alimentação está ligada quando o controlador de pedal está pressionado.	Retire o pé do controlador de pedal.
	Funcionamento incorrecto no controlador de pedal.	Se o problema se resolver retirando o controlador de pedal, o controlador de pedal não funciona correctamente. Requer reparação.
	Funcionamento incorrecto da unidade.	Se o problema não se resolver retirando o controlador de pedal, a unidade não funciona correctamente. Requer reparação.
Não rodará inclusive se o pedal está pressionado.	A ligação do cabo está solta.	Comprove a ligação.
	Funcionamento incorrecto da unidade ou controlador de pedal.	Se o problema não se resolver com a verificação da ligação, será necessária uma reparação do sistema.

Português

9. Substituição do fusível

Se a unidade de controlo não funcionar, verifique os fusíveis (porta da caixa de fusível situada na parte traseira da unidade de controlo). Para aceder ao fusível, utilize uma ferramenta pontiaguda no fecho dos fusíveis e a porta abrir-se-á. (Fig. 15)

Índices de fusíveis		
120V	T3,15AL	250V
230V	T1,6AL	250V

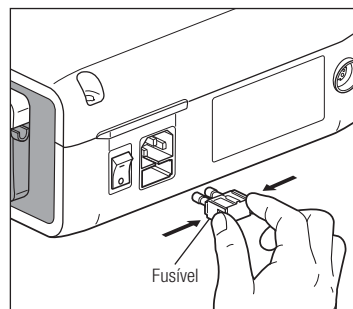


Fig.15


10. Manutenção

10-1 Manutenção da unidade de controlo e do pedal de controlo

No caso de a unidade de controlo ou o pedal de controlo tiverem manchas de sangue ou de solução salina, retire o cabo eléctrico CA, limpe a unidade de controlo ou o pedal de controlo com um pano húmido e a seguir com um pano humedecido com álcool.

10-2 Manutenção da peça manual e motor

Retire os detritos do produto. NÃO utilize uma escova de arame. Limpe com um cotonete ou pano humedecido em álcool.

 Esta peça manual pode ser limpa ou desinfectada com um desinfetante térmico.

Ligue a ficha de protecção ao micromotor.

Para mais pormenores, consulte o manual de utilizador do desinfetante térmico.

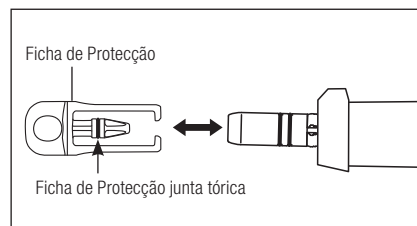


Fig.16



CUIDADO

- Utilize sempre a ficha de protecção durante a desinfecção térmica.
- Não utilize a ficha de protecção sem a junta tórica montada. Poderia provocar um funcionamento incorrecto. Se a junta tórica tiver sido danificada, substitua-a imediatamente.
- Para mais informações sobre a peça manual, consulte o manual do utilizador para a peça manual.

IMPORTANTE • O anel da Ficha de Protecção consumível. Se estiver danificado, troque-o por um novo.
Opcional: Ficha de Protecção: N.º de encomenda 10001595
Ficha de Protecção da junta tórica: N.º de encomenda D0312457102

11. Esterilização

 Todas as peças manuais podem ser esterilizadas em autoclave até uma temperatura máxima de 135 °C.

- É recomendada a esterilização com autoclave.
- É necessária uma esterilização com autoclave na primeira utilização e depois de cada paciente, conforme indicado seguidamente.



CUIDADO

Somente os artigos especificados abaixo podem ser esterilizados.

- | | | |
|------------------------------|--------------------------------|------------------------------|
| • Peça manual de implante | • Micromotor com cabo de motor | • Suporte para a peça manual |
| • Bocal de irrigação interna | • Suporte do tubo | • Suporte do bocal |
| • Ficha de protecção | • Broca de calibração | |

*Esterilização com autoclave

- 1) Retire o sangue e os desperdícios da peça manual.
- 2) Limpe o interior da peça manual utilizando um lubrificante em spray.
- 3) Coloque no estajo de autoclave (não incluído no pacote) e feche.
- 4) Pode ser esterilizado em autoclave a um máximo de 135 °C. (Autoclave durante 20 min a 121 °C, ou 15 min a 132 °C, ou 3 min a 134 °C (Classe B)).
- 5) Mantenha a peça manual no estajo de autoclave para a manter limpa até à sua utilização.

* A norma EN 13060 4.6.3 recomenda a esterilização na autoclave durante 3 minutos (tempo mínimo) a 134 °C ou 15 minutos (tempo mínimo) a 121 °C.



CUIDADO

- Limpe e lubrifique a peça manual antes da esterilização com autoclave. A esterilização com autoclave de uma peça manual suja com sangue ou com resíduos poderia danificá-la.
- Não lubrifique o micromotor.
- Não desligue o cabo de motor do micromotor.
- O tubo de irrigação é de utilização única e não pode ser esterilizado com autoclave.
- Não recomendamos a esterilização de plasma ou EOG.

12. Contra-ângulos e Acessórios opcionais

A seguir são enumerados os contra-ângulos que devem ser utilizados com o micromotor Surgic Pro para garantir uma elevada precisão do binário.

Referência	Descrição	Observações
C1003	X-SG20L	Peça manual com ÓPTICA.
C1010	SG20	Peça manual sem ÓPTICA.
C1068	X-DSG20L	Peça manual com ÓPTICA com cabeça desmontável.
C1067	X-DSG20	Peça manual sem ÓPTICA com cabeça desmontável.
C1076	X-DSG20Lh	Peça manual com ÓPTICA com cabeça e broca dentária hexagonal desmontáveis.
C1075	X-DSG20h	Peça manual sem ÓPTICA com cabeça e broca dentária hexagonal desmontáveis.

Referência	Descrição	Observações
C823752	Conector Y	Utilizado para a ligação de irrigação interna e externa de refrigerante.
Y900113	Tubo de irrigação (Embalagem de 5)	Para usar na troca de tubo.
20000396	Suporte do bocal (X-SG20L)	Fornecido como acessório normalizado.
20000357	Suporte do bocal (SG20L)	
10000324	Bocal de irrigação interna	Fornecido como acessório normalizado.
Y900083	Suporte do tubo	Fornecido como acessório normalizado para bocal de irrigação.
Z182100	PANA SPRAY Plus	Para peças manuais de alta e baixa velocidade.

13. Características técnicas

(Unidade de controlo)

Modelo	Surgic Pro+ (Com USB) Surgic Pro (Sem USB)
Tipo	NE250 (Com USB) NE294 (Sem USB)
Tensão de fornecimento de potência	CA 120/230 V
Frequência	50/60 Hz
Consumo de potência	40 VA
Saída máxima de bomba	75 ml/min
Dimensões	L265xP220xA100

(Micromotor)

Modelo	SGL70M	SG70M
Tipo	E1023	E1025
Intervalo de velocidade	200 – 40.000 min ⁻¹	
Tensão de entrada	CC 24 V	
Dimensões	Ø23,5xC103,3 mm (Sem cabo)	
Comprimento de cabo	2 m	
Óptica	LED branco	

(Pedal de controlo)

Modelo	FC-78
Comprimento de cabo	2 m

14. Eliminação do produto

Consulte o seu distribuidor sobre a forma de se desfazer do produto.

15. Símbolos



TUV Rhineland of North America é um laboratório de ensaio reconhecido a nível nacional (NRTL) nos EUA e encontra-se certificado pelo Conselho canadiano de normas para certificar produtos electromédicos de acordo com as normas nacionais canadiano.



Este produto foi concebido para não ser uma fonte de ignição no ar e gás anestésico inflamável.



Foi aplicada a directiva da UE 93/42/CEE na concepção e produção deste dispositivo médico.



Protegido contra os efeitos da imersão contínua em pó e água.



Elimine este dispositivo e os seus acessórios utilizando os métodos aprovados para dispositivos electrónicos de acordo com a directiva 2012/19/EU.



Peça aplicada de tipo BF.



Consultar o Manual de Utilizador.



Marcas sobre a parte exterior das peças do equipamento que inclui transmissores RF ou que aplica a energia electromagnética RF para diagnóstico ou tratamento.


16. Informação de Compatibilidade electromagnética (Informação EMC)

Indicação e declaração do fabricante – Emissões Electromagnéticas		
O Surgic Pro Series foi concebido para utilização no ambiente electromagnético definido seguidamente. O cliente ou o utilizador do Surgic Pro Series devem garantir a sua utilização neste tipo de ambiente. Indicação e declaração do fabricante de emissões electromagnéticas.		
Ensaio de emissões	Cumprimento	Ambiente Electromagnético – Indicação
Emissões de RF CISPR11/EN55011	Grupo 1	O Surgic Pro Series utiliza a energia RF unicamente para o seu funcionamento interno. Portanto, as suas emissões RF são muito baixas e não causam qualquer interferência no equipamento circundante.
Emissões RF CISPR11/EN55011	Classe B	O Surgic Pro Series é apropriado para utilização em todos as instalações, incluindo as instalações domésticas e aquelas directamente ligadas à rede pública de fornecimento de potência de baixa voltagem proporcionada em edifícios com fins domésticos.
Emissões harmónicas IEC/EN61000-3-2	Classe A	
Flutuações de voltagem/ emissões oscilantes IEC/EN61000-3-3	Cumprimento	

Indicação e declaração do fabricante – Emissões Electromagnéticas			
O Surgic Pro Series foi concebido para utilização no ambiente electromagnético definido seguidamente. O cliente ou o utilizador do Surgic Pro Series devem garantir a sua utilização neste tipo de ambiente.			
Ensaio de imunidade	Ensaio de nível IEC/EN60601	Nível de cumprimento	Ambiente Electromagnético – Indicação
Descarga electrostática (ESD) IEC/EN61000-4-2	Contacto kV \pm (2, 4) 6 Ar kV \pm (2, 4) 8	Contacto kV \pm (2, 4) 6 Ar kV \pm (2, 4) 8	O chão não deve ser de madeira, betão nem tijoleira cerâmica. Se os pisos forem revestidos com material sintético, a humidade relativa deve ser, pelo menos, 30%.
Rajada de impulsos/ transiente rápido eléctrico IEC/EN61000-4-4	\pm 2 kV para as linhas de fornecimento de potência \pm 1 kV para as linhas de entrada / saída	\pm 2 kV para as linhas de fornecimento de potência \pm 1 kV para as linhas de entrada / saída	A qualidade da potência eléctrica deve ser a de um ambiente comercial ou hospitalar convencional.
Sobretensão IEC/EN61000-4-5	Modo diferencial \pm 1 kV Modo comum \pm 2 kV	Modo diferencial \pm 1 kV Modo comum \pm 2 kV	A qualidade da potência eléctrica deve ser a de um ambiente comercial ou hospitalar convencional.
Descida de tensão, interrupções breves e variações de voltagem nas linhas de entrada do fornecimento eléctrico. IEC/EN61000-4-11	<5% Ut (>95% descida em Ut) Para ciclo de 0,5 40% Ut (60% descida em Ut) Para 5 ciclos 70% Ut (30% descida em Ut) Para 25 ciclos <5% Ut (>95% descida em Ut) durante 5 s	<5% Ut (>95% descida em Ut) Para ciclo de 0,5 40% Ut (60% descida em Ut) Para 5 ciclos 70% Ut (30% descida em Ut) Para 25 ciclos <5% Ut (>95% descida em Ut) durante 5 s	A qualidade da potência eléctrica deve ser a de um ambiente comercial ou hospitalar convencional. Se o utilizador do Surgic Pro Series necessitar de um funcionamento contínuo durante as interrupções de potência eléctrica, recomenda-se que o Surgic Pro Series conte com uma bateria de corrente eléctrica contínua.
Frequência de potência (50/60 Hz) campo magnético IEC/EN61000-4-8	3 A/m	3 A/m	A frequência de potência dos campos magnéticos deve estar aos níveis característicos de uma localização convencional num ambiente comercial ou hospitalar.
NOTA: "Ut" é a voltagem da rede CA antes da aplicação do nível de ensaio.			

Indicação e declaração do fabricante – Emissões Electromagnéticas			
O Surgic Pro Series foi concebido para utilização no ambiente electromagnético definido seguidamente. O cliente ou o utilizador do Surgic Pro Series devem garantir a sua utilização neste tipo de ambiente.			
Ensaio de imunidade	Ensaio de nível IEC/EN60601	Nível de cumprimento	Ambiente Electromagnético – Indicação
RF IEC/EN61000-4-6 conduzido	3 V rms 150 kHz a 80 MHz	3 V rms	O equipamento de comunicações portátil e móvel RF deve ser utilizado a uma distância de qualquer peça do Surgic Pro Series, incluindo cabos, superior à distância de separação calculada pela equação aplicável para a frequência do transmissor.
RF IEC/EN61000-4-3 irradiado	3 V/m 80 MHz a 2,5 GHz	3 V/m	<p>Distância de separação recomendada</p> $d = 1,2 \sqrt{P}$ $d = 1,2 \sqrt{P} \quad 80\text{MHz à } 800\text{MHz}$ $d = 2,3 \sqrt{P} \quad 800\text{MHz à } 2,5\text{GHz}$ <p>Em que P é o índice máximo de potência do transmissor em watts (W), segundo o fabricante do transmissor, e (d) é a distância de separação recomendada em metros (m).</p> <p>As forças de campo de transmissores fixos RF, conforme determinado pela investigação de um espaço electromagnético, devem ser inferiores ao nível de cumprimento em cada intervalo de frequência (b).</p> <p>Pode ocorrer uma interferência próximo do equipamento marcado com o seguinte símbolo:</p> 
NOTA 1 A 80 MHz e 800 MHz, será aplicável o intervalo de frequência mais elevado.			
NOTA 2 Estas directrizes não serão aplicáveis em todas as situações. A propagação electromagnética é afectada pela absorção e pela reflexão das estruturas, dos objectos e das pessoas.			
<p>a Em teoria, as forças de campo de transmissores fixos, como estações de telefones de rádio (telemóvel/ sem fios) e rádios móveis terrestres, radioamadores, programas de rádio AM e FM e programas de televisão não podem ser previstos com precisão. Para avaliar o ambiente electromagnético de transmissores fixos RF, deve ser considerada uma investigação electromagnética do local. Se a força de campo medida no local onde for utilizado o Surgic Pro Series ultrapassar o nível de cumprimento aplicável RF anterior, deverá ser observado se o Surgic Pro Series funciona normalmente. No caso de ser observado um desempenho anormal, será necessário aplicar medidas adicionais, como a reorientação ou o reposicionamento do Surgic Pro Series.</p> <p>b Acima do intervalo de frequência de 150 kHz a 80MHz, a força do campo deve ser inferior a 3 V/m.</p>			
Cabos e acessórios	Comprimento máximo	Plástico blindado	Cumprimento
Micromotor com cabo de motor	2,0 m	não blindado	Emissões RF, CISPR11, Classe B/ Grupo 1
Pedal de controlo com cabo	2,0 m	não blindado	Emissões harmónicas: IEC61000-3-2 / EN61000-3-2
Cabo eléctrico CA	2,0 m	não blindado	Flutuações de tensão/emissões oscilantes: IEC61000-3-3 / EN61000-3-3
			Descarga electrostática (ESD): IEC61000-4-2 / EN61000-4-2
			Rajada de impulsos/transiente rápido eléctrico: IEC61000-4-4 / EN61000-4-4
			Sobretensão: IEC61000-4-5 / EN61000-4-5
			Descida de tensão, interrupções breves e variações de tensão nas linhas de entrada do fornecimento eléctrico: IEC61000-4-11 / EN61000-4-11
			Frequência de potência (50/60 Hz) do campo magnético: IEC61000-4-8 / EN61000-4-8
			RF conduzido: IEC61000-4-6 / EN61000-4-6
			RF irradiado: IEC61000-4-3 / EN61000-4-3

Distâncias de separação recomendadas entre o equipamento de comunicação portátil e móvel RF e o Surgic Pro Series.			
O Surgic Pro Series foi concebido para utilização num ambiente electromagnético onde as alterações radiadas RF sejam controladas. O cliente ou o utilizador do Surgic Pro Series podem ajudar a prevenir as interferências electromagnéticas mantendo uma distância mínima entre o equipamento de comunicação portátil e móvel RF (transmissores) e o Surgic Pro Series.			
Índice de potência de saída máxima do transmissor W	Distância de separação segundo a frequência do transmissor m		
	150kHz to 80MHz $d = 1,2 \sqrt{P}$	80MHz to 800MHz $d = 1,2 \sqrt{P}$	800MHz to 2,5GHz $d = 2,3 \sqrt{P}$
0,01	0,12	0,12	0,23
0,1	0,38	0,38	0,73
1	1,2	1,2	2,3
10	3,8	3,8	7,3
100	12	12	23
Para transmissores com um índice de potência máximo não incluído anteriormente, a distância de separação recomendada "d" em metros (m) pode ser estimada usando a equação aplicável à frequência do transmissor, em que P é o índice de potência de saída máximo do transmissor em watts (W), segundo o fabricante do transmissor.			
NOTA 1 A 80 MHz e 800 MHz, será aplicada a distância de separação para o intervalo de frequência máximo.			
NOTA 2 Estas directrizes não serão aplicáveis em todas as situações. A propagação electromagnética é afectada pela absorção e pela reflexão das estruturas, dos objectos e das pessoas.			

 The EU directive 93/42/EEC was applied in the design and production of this medical device.

NAKANISHI INC. 

700 Shimohinata, Kanuma, Tochigi 322-8666, Japan

www.nsk-inc.com

NSK Europe GmbH 

Elly-Beinhorn-Strasse 8
65760 Eschborn
Germany

NSK France SAS

32 rue de Lisbonne
75008 Paris
France

NSK United Kingdom Ltd

Office 5, Gateway 1000
Arlington Business Park, Whittle Way
Stevenage, SG1 2FP, UK

NSK Dental Spain SA

C/ Módena, 43 El Soho-Európolis
28232 Las Rozas, Madrid
Spain

NSK America Corp

1800 Global Parkway
Hoffman Estates, IL 60192
USA

NSK America Latina Ltda

Rua Blumenau, 735 - Sala 02
América, Joinville, SC 89204-251
Brazil

NSK Oceania Pty Ltd

Unit 12/809-821 Botany Road
Rosebery, NSW 2018
Australia

NSK Asia

9 Tampines Grande
#03-15, 528735
Singapore

NSK Middle East

Room 6EA701, 7th Floor, East Wing No.6
Dubai Airport Free Zone
PO Box 54316, Dubai, UAE

Specifications are subject to change without notice.

2018.02.05 02 